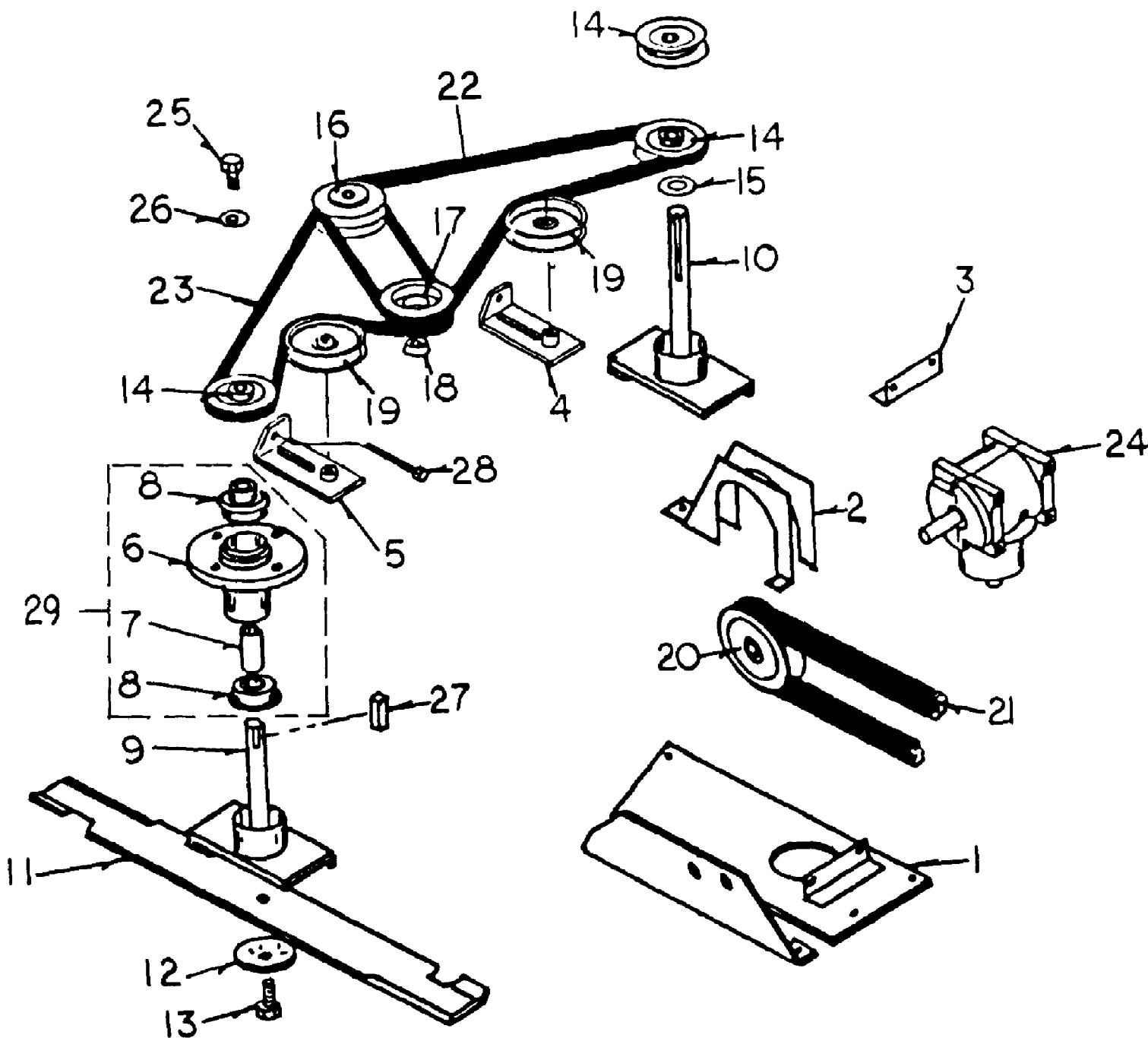


132-013-190 FR-1800 (1992)  
42" Deck Drive

Page 1 of 48



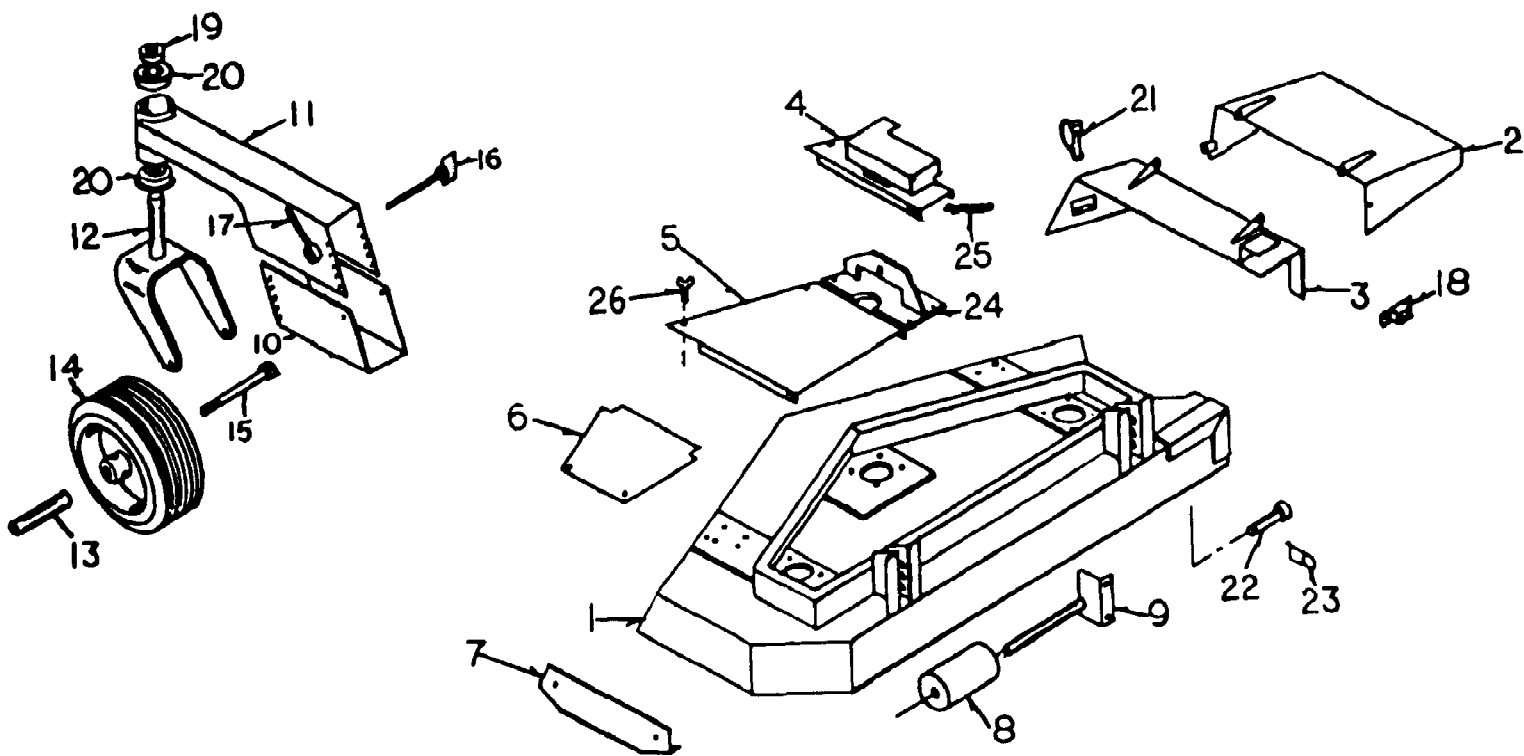
132-013-190 FR-1800 (1992)  
42" Deck Drive

Page 2 of 48

Ref #	Part Number	Qty	S/P/F	Description
1	WD-311-0001	1		Gearbox Mount
2	WD-311-0002	1		Belt Guard (1800)
	WD-330-0030	1		Belt Guard (2000)
3	WD-310-0006	1		Gearbox Mount Angle
4	WD-300-0029	1		Belt Tightener
5	WD-300-0030	1		Belt Tightener
6	WD-300-0025	3	S	Spindle Housing
7	WD-300-0027	3	S	Spindle Spacer
8	WD-900-3506	6	S	Spindle Bearing
9	WD-300-0026	2	S	Spindle Shaft
10	WD-300-0033	1		Spindle Shaft
11	WD-900-5531	3	S	Blade (190-872-190)
	WD-900-5530	3	S	Blade (190-875-190)
12	WD-900-5534	3	S	Blade Washer
13	WD-900-6080	3	S	Hex Bolt, 3/8-24 x 1 1/4"
14	WD-900-2507	2	S	Spindle Pulley
15	WD-900-6002	9	S	Spacer Washer
16	WD-900-2516	1	S	Spindle Pulley, Double A
17	WD-900-2515	1		Gearbox Pulley, Output
18		1		Hub (Included w/800-2515)
19	WD-900-2518	2	S	Idler Pulley
20	WD-900-2525	1	S	Gearbox Pulley, Input (190-872-190)
	WD-900-2543	1		Gearbox Pulley, Input (190-875-190)
21	WD-900-3004	1	S	Deck Drive Belt (190-872-190)
	WD-900-3023	2	S	Deck Drive Belt (190-875-190)
22	WD-900-3006	1	S	Deck Belt
23	WD-900-3007	1	S	Deck Belt
24	WD-900-5842	1	S	Gearbox
25	WD-900-6073	3	S	Hex Ny-Lock Bolt, 5/16-24 x 3/4"
26	WD-300-0017	3	S	Washer, 5/16", 10 GA
27	WD-300-0021	6	S	Key Stock, 3/16"
28	WD-900-6034	2		Adjustment Bolt
29	WD-600-0000	1	S	Spindle Housing Assembly (Includes Items 6, 7 & 8)
?30	WD-900-2528	1		Spindle Pulley (190-872-190)
	WD-900-2507	1	S	Spindle Pulley (190-875-190)

132-013-190 FR-1800 (1992)  
42" Deck Parts

Page 3 of 48

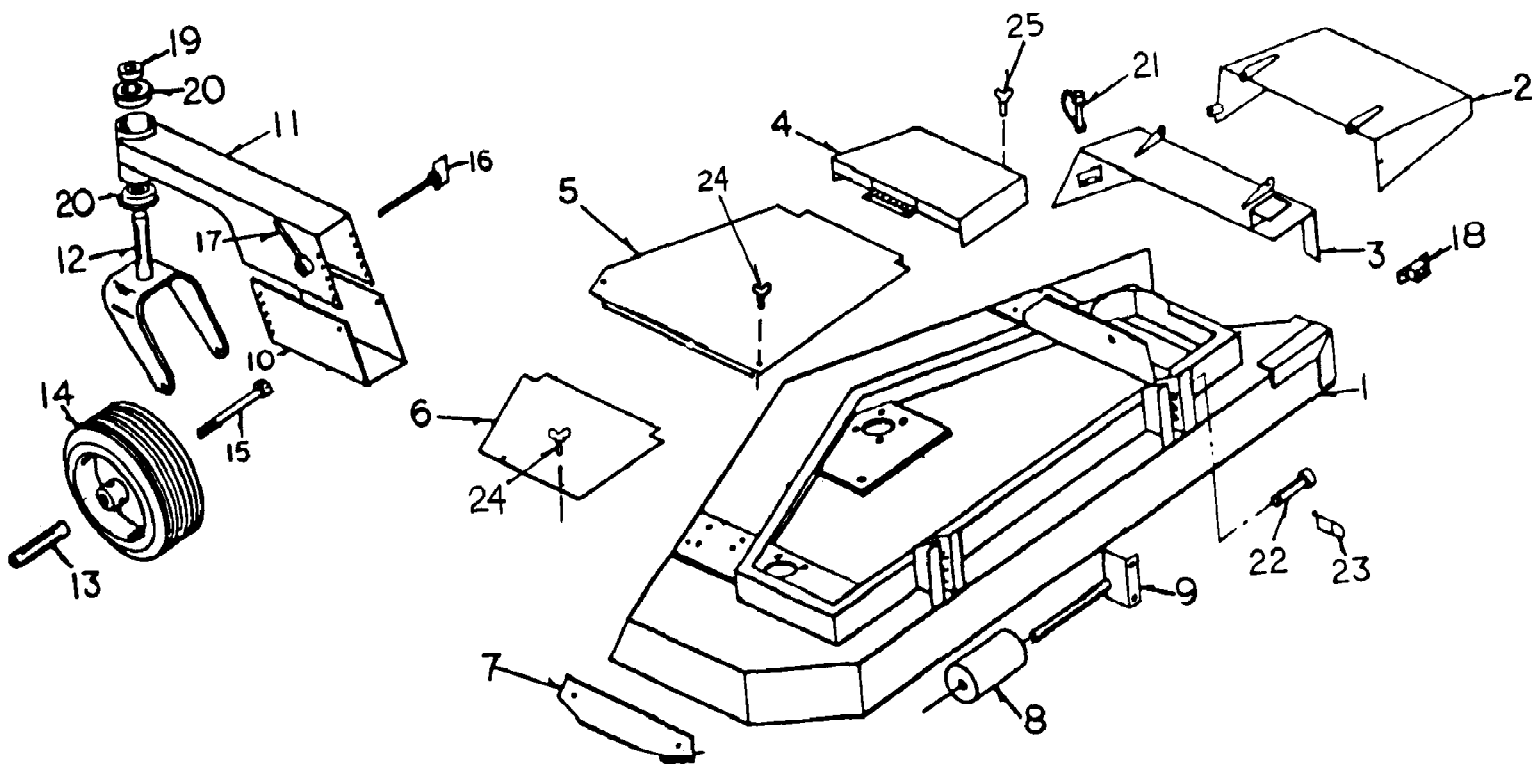


132-013-190 FR-1800 (1992)  
42" Deck Parts

Page 4 of 48

Ref #	Part Number	Qty	S/P/F	Description
1	WD-310-0000	1		Deck, 42"
2	WD-320-0015	1		Foot Guard
3	WD-320-0016	1		Foot Guard Mount
4	WD-310-0002	1		Pulley Cover
5	WD-310-0003	1		Center Cover
6	WD-300-0001	1		Cover, LH
7	WD-310-0007	1	S	Shoe, LH
8	WD-900-5559	1		Anti-scalp Roller
9	WD-300-0038	1		Shaft & Bracket
10	WD-300-0044	2	S	Gauge Wheel Mount Bracket
11	WD-300-0043	2		Gauge Wheel Mount
12	WD-320-0018	2		Fork (1800)
	WD-330-0007	2		Fork (2000)
13	WD-320-0008	2		Axle (1800)
	WD-200-0017	2	S	Axle (2000)
14	WD-900-4020	2		Gauge Wheel Assembly (1800)
	WD-900-3510	1	S	Bearing, Wheel Assembly (1800)
14	WD-900-4004	2		Gauge Wheel Assembly (2000)
	WD-900-4006	1		Tire, 11 x 4.00-5 (2000)
	WD-900-4005	1		Rim, 5" (2000)
	WD-900-3505	1	S	Bearing, Wheel Assembly (2000)
15	WD-900-6036	1		Axle Bolt (1800)
	WD-900-6133	1	S	Axle Bolt (2000)
16	WD-900-6096	4		Wing Bolt
17	WD-900-6092	4		Handle Nut
18	WD-900-2044	1	S	10 Amp Circuit Breaker
19	WD-900-5510	2		Set Collar, 1"
20	WD-900-3501	4	S	Bearing, 1"
21	WD-900-5615	1		Fas-tatch Pin
22	WD-900-5519	2		Deck Pin
23	WD-900-5520	2		Hair Pin Cotter
24	WD-310-0004	1		Deck Mount
25	WD-900-5562	1		Spring
26	WD-900-6043	4		Thumb Screw, 1/4-20 x 1/2"

132-013-190 FR-1800 (1992)  
52" Deck



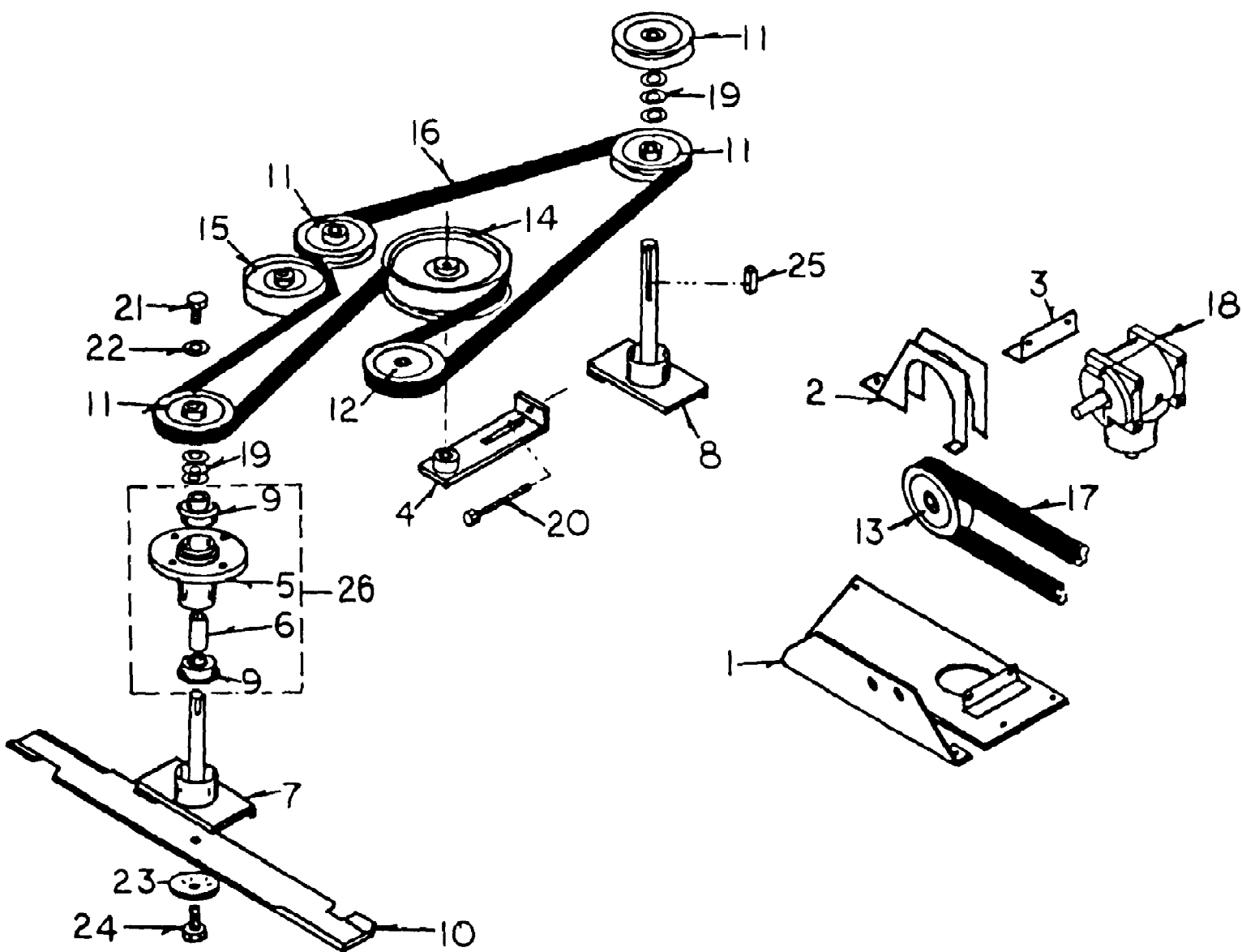
132-013-190 FR-1800 (1992)  
52" Deck

Page 6 of 48

Ref #	Part Number	Qty	S/P/F	Description
1	WD-320-0000	1		Deck, 52"
2	WD-320-0015	1		Foot Guard
3	WD-320-0016	1		Foot Guard Mount
4	WD-320-0011	1		Pulley Cover
5	WD-320-0002	1		Center Cover
6	WD-320-0001	1		Cover, LH
7	WD-320-0014	1		Shoe, LH
8	WD-900-5559	1		Anti-scalp Roller
9	WD-300-0038	1		Shaft & Bracket
10	WD-300-0044	2	S	Gauge Wheel Mount Bracket
11	WD-300-0043	2		Gauge Wheel Mount
12	WD-330-0007	2		Fork
13	WD-200-0017	2	S	Axle
14	WD-900-4004	2		Gauge Wheel Assembly
	WD-900-4006	1		Tire, 11 x 4.00-5
	WD-900-4005	1		Rim, 5"
	WD-900-3505	1	S	Bearing, Wheel Assembly
15	WD-900-6133	2	S	Axle Bolt
16	WD-900-6096	4		Wing Bolt
17	WD-900-6092	4		Handle Nut
18	WD-900-2044	1	S	10 Amp Circuit Breaker
19	WD-900-5510	2		Set Collar, 1"
20	WD-900-3501	4	S	Bearing, 1"
21	WD-900-5615	1		Fas-tatch Pin
22	WD-900-5519	2		Deck Pin
23	WD-900-5520	2		Hair Pin Cotter
24	WD-900-6043	4		Thumb Screw, 1/4-20 x 1/2"
25	WD-900-6020	1		Wing Screw, 1/4-20 x 1"

132-013-190 FR-1800 (1992)  
52" Deck Drive

Page 7 of 48



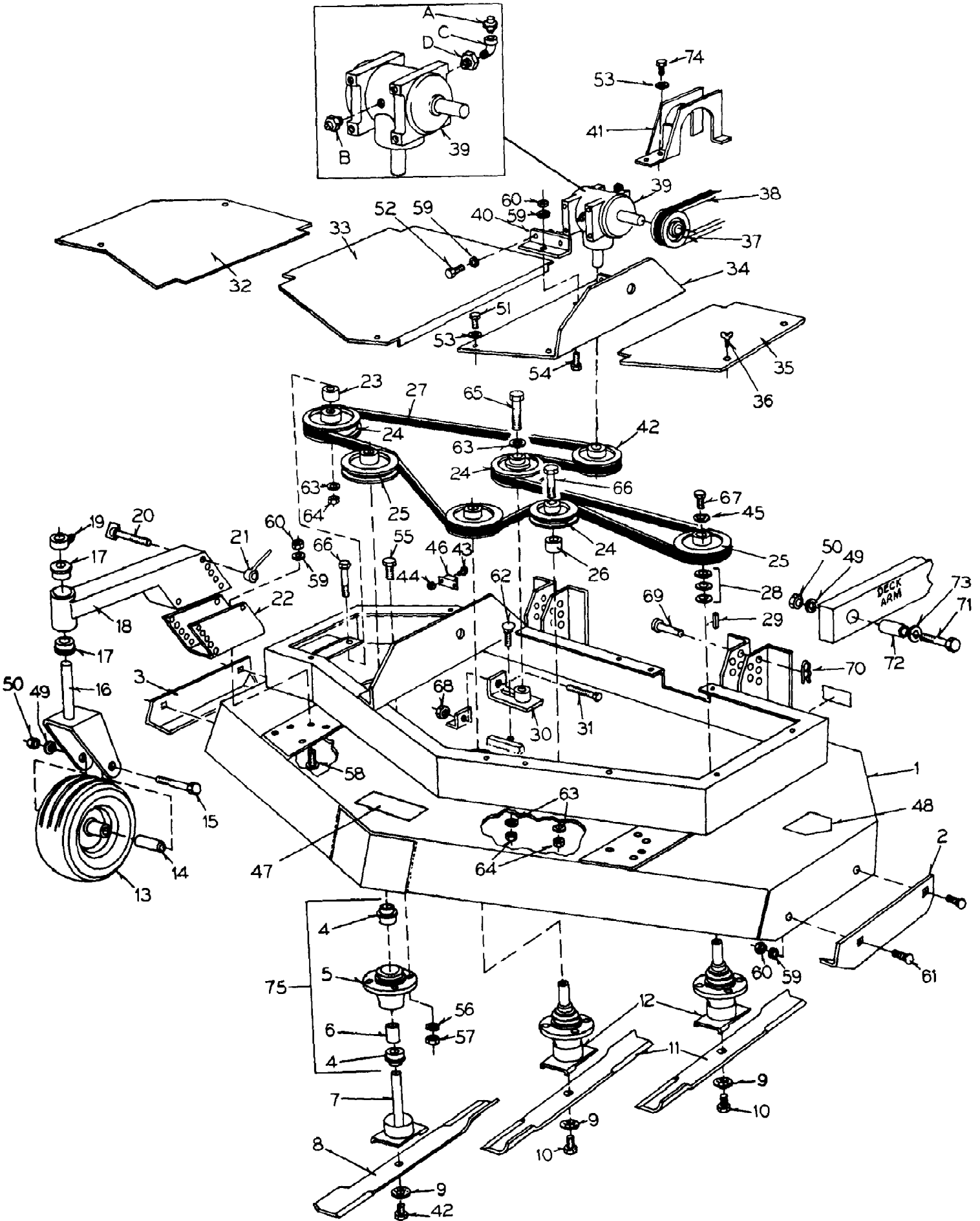
132-013-190 FR-1800 (1992)  
52" Deck Drive

Page 8 of 48

Ref #	Part Number	Qty	S/P/F	Description
1	WD-321-0001	1		Gearbox, Mount
2	WD-311-0002	1		Belt Guard (190-873-190)
	WD-330-0030	1		Belt Guard (190-876-190)
3	WD-310-0006	1		Gearbox Mount Angle
4	WD-330-0012	1		Belt Tightener
5	WD-300-0025	3	S	Spindle Housing
6	WD-300-0027	3	S	Spindle Spacer
7	WD-300-0026	2	S	Spindle Shaft
8	WD-300-0033	1		Spindle Shaft, Long
9	WD-900-3506	6	S	Spindle Bearing
10	WD-900-5814	3	S	Blade
11	WD-900-2511	4	S	Spindle Pulley
12	WD-900-2510	1		Gearbox Pulley, Output
13	WD-900-2525	1	S	Gearbox Pulley, Input (190-873-190)
	WD-900-2543	1		Gearbox Pulley, Input (190-876-190)
14	WD-900-2521	1	S	Idler Pulley, Large
15	WD-900-2522	1	S	Idler Pulley, Small
16	WD-900-3005B	1	S	Deck Belt
17	WD-900-3004	1	S	Deck Drive Belt (190-873-190)
	WD-900-3023	2	S	Deck Drive Belt (190-876-190)
18	WD-900-5842	1	S	Gearbox
19	WD-900-6002	12	S	Spacer Washer
20	WD-900-6034	1		Adjustment Bolt
21	WD-900-6073	3	S	Hex Ny-Lock Bolt, 5/16-24 x 3/4"
22	WD-300-0017	3	S	Washer, 5/16", 10 GA
23	WD-900-5534	3	S	Blade Washer
24	WD-900-6080	3	S	Hex Bolt, 3/8-24 x 1 1/4"
25	WD-300-0021	6	S	Key Stock, 3/16"
26	WD-600-0000	1	S	Spindle Housing Assembly (Includes Items 5, 6 & 9)



132-013-190 FR-1800 (1992)  
52" Rear Discharge Deck



132-013-190 FR-1800 (1992)  
52" Rear Discharge Deck

Page 10 of 48

Ref #	Part Number	Qty	S/P/F	Description
1	WD-321-0000	1		Rear Discharge Deck, 52"
2	WD-320-0014	1		Shoe, LH
3	WD-321-0003	1		Shoe, RH
4	WD-900-3506	6	S	Spindle Bearing, 7/8" (ER-14)
5	WD-300-0025	3	S	Spindle Housing
6	WD-300-0027	3	S	Spindle Spacer
7	WD-321-0004	1	S	Spindle Shaft, LH Rotation
8	WD-900-5914	1	S	Blade, LH Rotation (5814LH)
9	WD-900-5534	3	S	Blade Washer
10	WD-900-6080	2	S	Hex Bolt, 3/8-24 x 1 1/4", GR5
11	WD-900-5814	2	S	Blade, RH Rotation
12	WD-300-0026	2	S	Spindle Shaft, 7/8"
13	WD-900-4004	2		Gauge Wheel Assembly
	WD-900-4006	1		Tire, 11 x 4.00-5
	WD-900-4005	1		Rim, 5"
	WD-900-3505	1	S	Wheel Assembly Bearing (ASF0108-6)
14	WD-200-0017	2	S	Axle
15	WD-900-6133	2	S	Hex Bolt, 1/2-13 x 6 1/2", GR2
16	WD-330-0007	2		Gauge Wheel Fork
17	WD-900-3501	4	S	Drive Wheel Bearing, 1" (64F64PP)
18	WD-300-0043	2		Gauge Wheel Mount
19	WD-900-5510	2		Set Collar, 1"
20	WD-900-6096	4		Wing Bolt, 3/8-16 x 4 1/2"
21	WD-900-6092	4		Handle Nut, 3/8-16
22	WD-300-0044	2	S	Gauge Wheel Mount Bracket
23	WD-321-0005	1		Idler Pulley Spacer
24	WD-900-2558	3	S	Idler Pulley, 3/8" ID x 5" OD
25	WD-900-2557	3		Spindle Pulley, 7/8" ID x 4 1/2" OD
26	WD-300-0016	1	S	Idler Pulley Spacer
27	WD-900-3028	1	S	Deck Belt, BB129
28	WD-900-6002	9	S	Spacer Washer
29	WD-300-0021	5	S	Key, 3/16" x 3/16" x 1"
30	WD-300-0015	1		Belt Tightener
31	WD-900-6034	1		Hex Tap Bolt, 1/4-20 x 4"
32	WD-321-0002	1		Cover, RH
33	WD-320-0002	1		Cover, Center
34	WD-321-0001	1		Gearbox Mount
35	WD-320-0001	1		Cover, LH
36	WD-900-6043	6		Thumb Screw, 1/4-20 x 1/2"
37	WD-900-2525	1	S	Gearbox Pulley, 3/4 ID x 4 1/2 OD
38	WD-900-3004	1	S	Deck Drive Belt, B52
39	WD-900-5842	1	S	Gearbox Assembly Consists of A-D
A	WD-900-7004	1	S	Relief Valve
B	WD-900-7053	1	S	Grease Zerk, 1/4" NPT
C	WD-900-5020	1		Street Elbow, 1/8" x 90°
D		1		Pipe Bushing, 1/4" x 1/8" Standard Hardware Part, Order Locally
40	WD-310-0006	1		Gearbox Mount Angle
41	WD-311-0002	1		Belt Guard
42	WD-900-6106	1		Hex Bolt, 3/8-24 x 1 1/4", GR5, LH
43		2		Panhead Machine Screw, No. 10-32 x 1/2" Standard Hardware Part, Order Locally

132-013-190 FR-1800 (1992)  
52" Rear Discharge Deck

Page 11 of 48

Ref #	Part Number	Qty	S/P/F	Description
44	WD-900-6150	2		Integral Star Washer Nut, No. 10-32
45	WD-300-0017	3	S	Spindle Washer
46	WD-900-2044	1	S	10 Amp Circuit Breaker
47	WD-900-5542	1		Decal, Caution - Whirling Blade
48	WD-900-5549	1		Decal, Danger
49		4		Lockwasher, 1/2" Standard Hardware Part, Order Locally
50		4		Hex Nut, 1/2-13 Standard Hardware Part, Order Locally
51		5		Hex Capscrew, 1/4-20 x 3/4", GR5 Standard Hardware Part, Order Locally
52		4		Hex Capscrew, 5/16-18 x 1", GR5 Standard Hardware Part, Order Locally
53		7		Lockwasher, 1/4" Standard Hardware Part, Order Locally
54		1		Hex Capscrew, 5/16-18 x 3/4", GR5 Standard Hardware Part, Order Locally
55		12		Hex Capscrew, 7/16-14 x 1 1/4", GR5 Standard Hardware Part, Order Locally
56		12		Lockwasher, 7/16" Standard Hardware Part, Order Locally
57		12		Hex Nut, 7/16-14 Standard Hardware Part, Order Locally
58		6		Carriage Bolt, 5/16-18 x 1", GR5 Standard Hardware Part, Order Locally
59		10		Lockwasher, 5/16" Standard Hardware Part, Order Locally
60		10		Hex Nut, 5/16" Standard Hardware Part, Order Locally
61		4		Carriage Bolt, 5/16-18 x 3/4" Standard Hardware Part, Order Locally
62		1		Carriage Bolt, 3/8-16 x 1" Standard Hardware Part, Order Locally
63		4		Lockwasher, 3/8" Standard Hardware Part, Order Locally
64		3		Hex Nut, 3/8-16 Standard Hardware Part, Order Locally
65		1		Hex Capscrew, 3/8-16 x 1 1/4", GR5 Standard Hardware Part, Order Locally
66		2		Hex Capscrew, 3/8-16 x 2 1/2", GR5 Standard Hardware Part, Order Locally
67	WD-900-6053	3	S	Hex Capscrew, 5/16-24 x 3/4", GR5

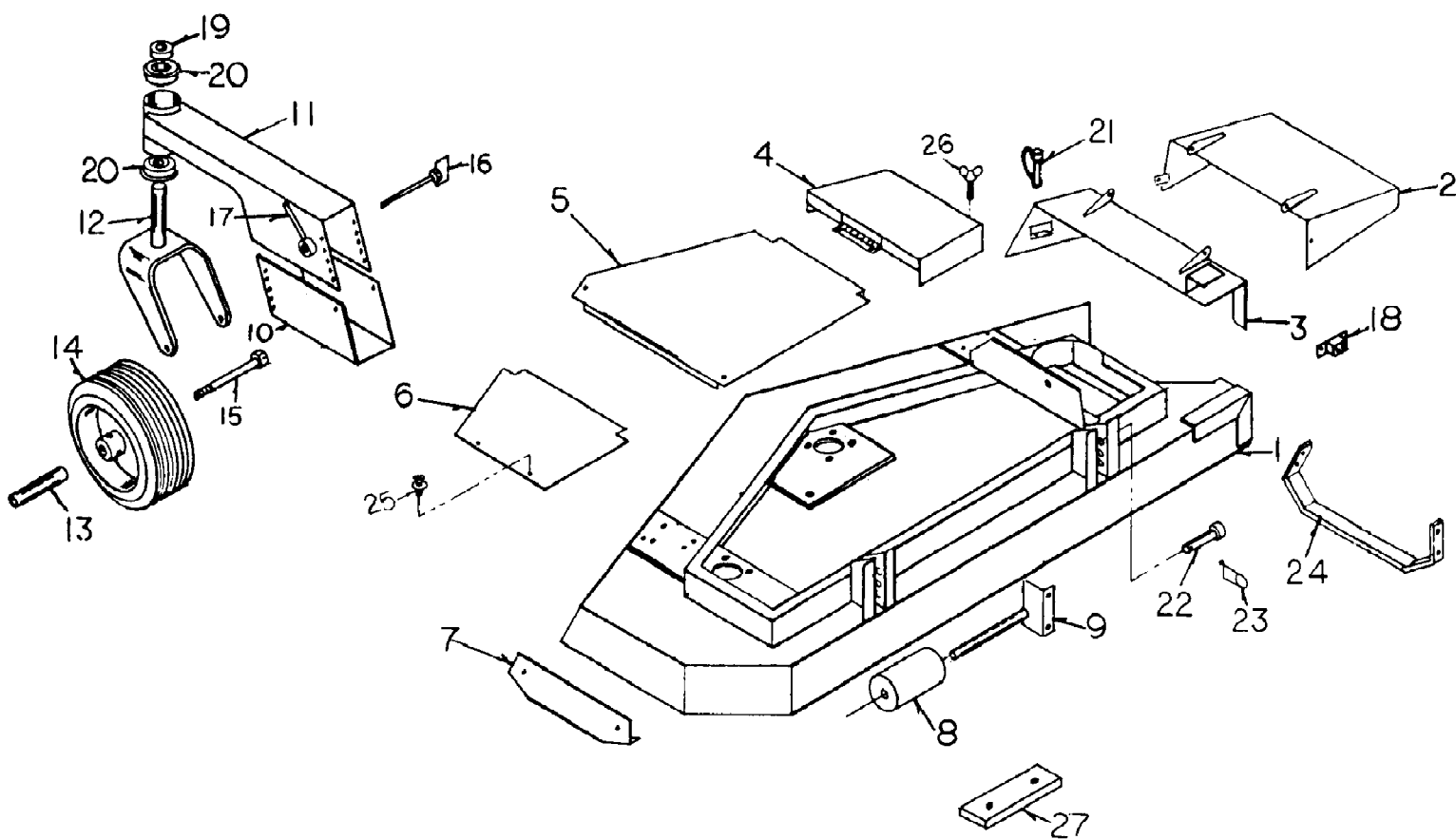
132-013-190 FR-1800 (1992)  
52" Rear Discharge Deck

Page 12 of 48

Ref #	Part Number	Qty	S/P/F	Description
68		1		Elastic Stop Nut, 1/4-20 Standard Hardware Part, Order Locally
69	WD-900-5519	2		Clevis Pin, 1/2" x 1 1/2"
70	WD-900-5520	2		Hairpin Cotter, .120 x 2 1/4"
71		2		Hex Capscrew, 1/2-13 x 1 1/2", GR5 Standard Hardware Part, Order Locally
72	WD-300-0013	2	S	Deck Lift Arm Bushing
73		2		Flatwasher, 1/2" Standard Hardware Part, Order Locally
74		2		Hex Capscrew, 1/4-20 x 1/2", GR5 Standard Hardware Part, Order Locally
75	WD-600-0000	3	S	Spindle Housing Assembly (Includes items 4, 5 & 6)

132-013-190 FR-1800 (1992)  
62" Deck

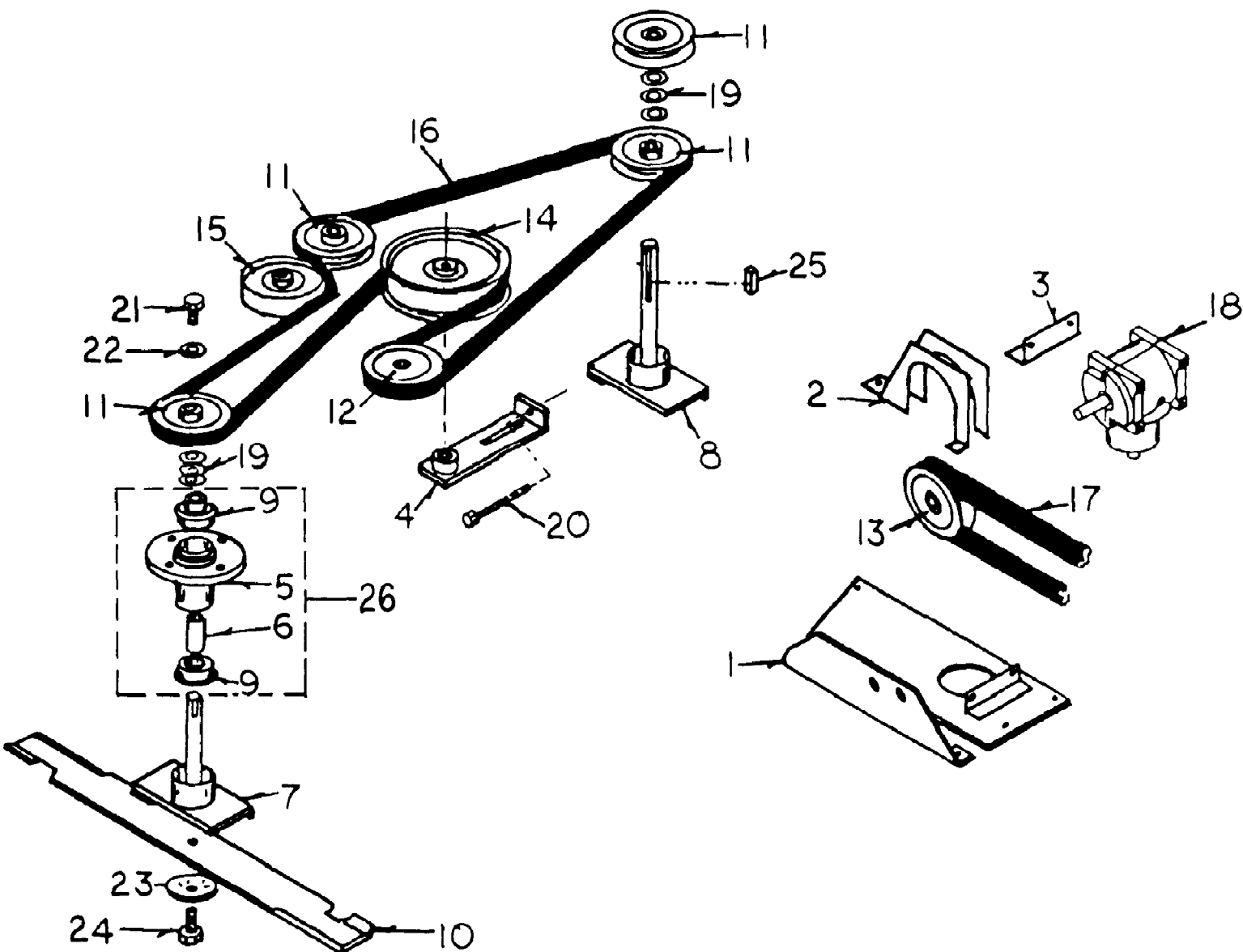
Page 13 of 48



132-013-190 FR-1800 (1992)  
62" Deck

Page 14 of 48

Ref #	Part Number	Qty	S/P/F	Description
1	WD-330-0000	1	S	Deck, 62"
2	WD-330-0027	1		Foot Guard
3	WD-330-0028	1		Foot Guard Mount
4	WD-330-0025	1		Pulley Cover
5	WD-330-0002	1		Center Cover
6	WD-330-0001	1		Cover, LH
7	WD-330-0008	1	S	Shoe, LH
8	WD-900-5559	1		Anti-scalp Roller
9	WD-300-0038	1		Shaft & Bracket
10	WD-300-0044	2	S	Gauge Wheel Mount Bracket
11	WD-300-0043	2		Gauge Wheel Mount
12	WD-330-0007	2		Fork
13	WD-200-0017	2	S	Axle
14	WD-900-4004	2		Gauge Wheel Assembly
	WD-900-4006	1		Tire, 11 x 4.00-5
	WD-900-4005	1		Rim, 5"
	WD-900-3505	1	S	Bearing, Wheel Assembly
15	WD-900-6133	2	S	Axle Bolt
16	WD-900-6096	4		Wing Bolt
17	WD-900-6092	4		Handle Nut
18	WD-900-2044	1	S	10 Amp Circuit Breaker
19	WD-900-5510	2		Set Collar, 1"
20	WD-900-3501	4	S	Bearing, 1"
21	WD-900-5615	1		Fas-tatch Pin
22	WD-900-5519	2		Deck Pin
23	WD-900-5520	2		Hair Pin Cotter
24	WD-330-0011	1	S	Shoe, RH
25	WD-900-6043	4		Thumb Screw, 1/4-20 x 1/2"
26	WD-900-6020	1		Wing Screw, 1/4-20 x 1"
27	WD-230-0010	3		Tail Weight, 13 Lb.



132-013-190 FR-1800 (1992)  
62" Deck Drive

Page 16 of 48

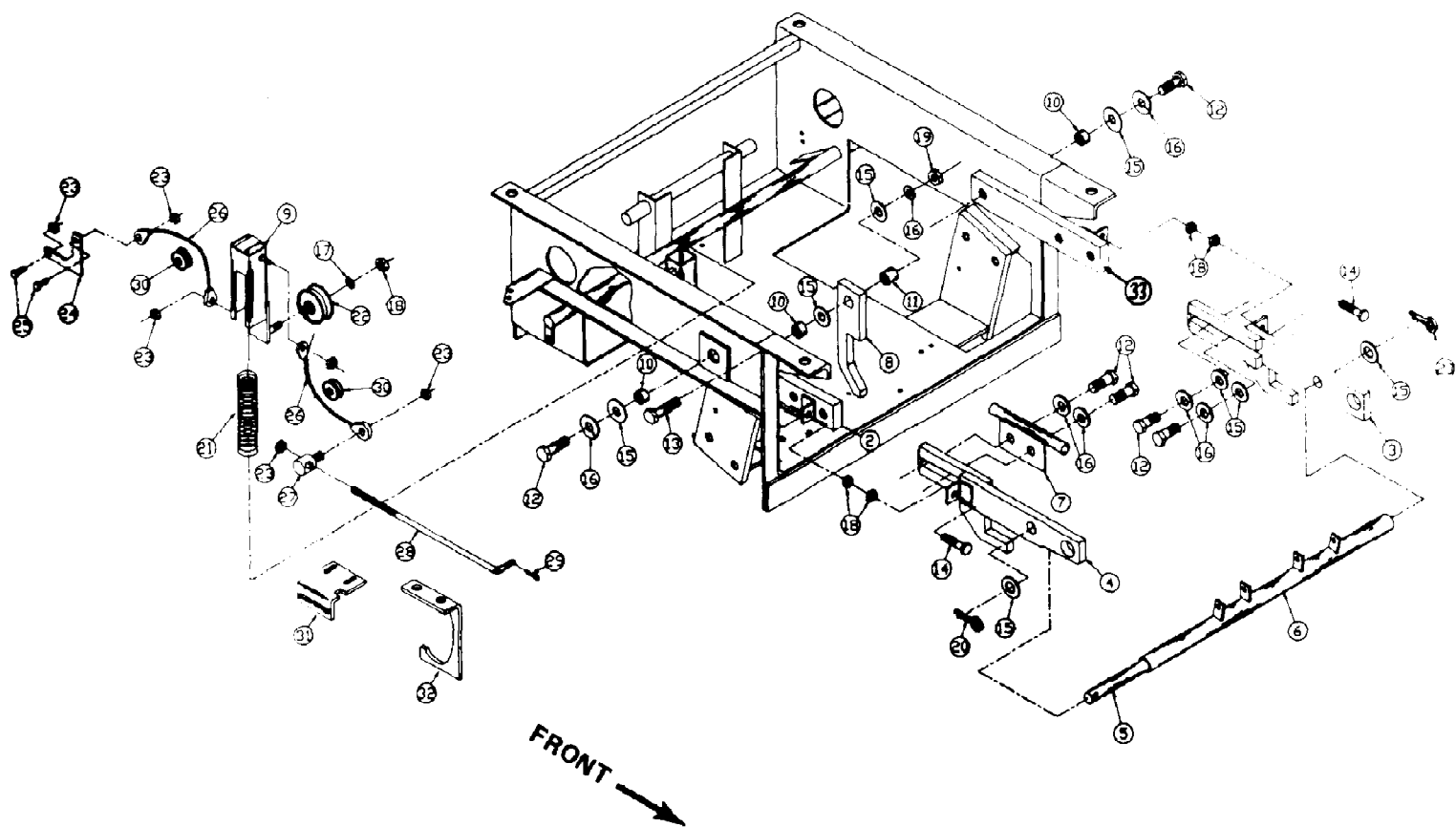
Ref #	Part Number	Qty	S/P/F	Description
1	WD-331-0004	1		Gearbox Mount
2	WD-311-0002	1		Belt Guard (190-874-190)
	WD-330-0030	1		Belt Guard (190-877-190)
3	WD-310-0006	1		Gearbox Mount Angle
4	WD-330-0012	1		Belt Tightener
5	WD-300-0031	3	S	Spindle Housing
6	WD-300-0034	3	S	Spindle Spacer
7	WD-300-0032	2	S	Spindle Shaft
8	WD-300-0040	1	S	Spindle Shaft, Long
9	WD-900-3506	6	S	Spindle Bearing
10	WD-900-5730	3	S	Blade
11	WD-900-2512	4		Spindle Pulley
12	WD-900-2510	1		Gearbox Pulley, Output
13	WD-900-2525	1	S	Gearbox Pulley, Input (190-874-190)
	WD-900-2543	1		Gearbox Pulley, Input (190-877-190)
14	WD-900-2521	1	S	Idler Pulley, Large
15	WD-900-2522	1	S	Idler Pulley, Small
16	WD-900-3008B	1	S	Deck Belt
17	WD-900-3004	1	S	Deck Drive Belt (190-874-190)
	WD-900-3023	2	S	Deck Drive Belt (190-877-190)
18	WD-900-5842	1	S	Gearbox
19	WD-900-6002	12	S	Spacer Washer
20	WD-900-6034	1		Adjustment Bolt
21	WD-900-6073	3	S	Hex Ny-Lock Bolt, 5/16-24 x 3/4"
22	WD-300-0017	3	S	Washer, 5/16", 10 GA
23	WD-900-5534	3	S	Blade Washer
24	WD-900-6080	3	S	Hex Bolt, 3/8-24 x 1 1/14"
25	WD-300-0021	6	S	Key Stock, 3/16"
26	WD-600-0001	1	S	Spindle Housing Assembly (Includes Items 5, 6 & 9)



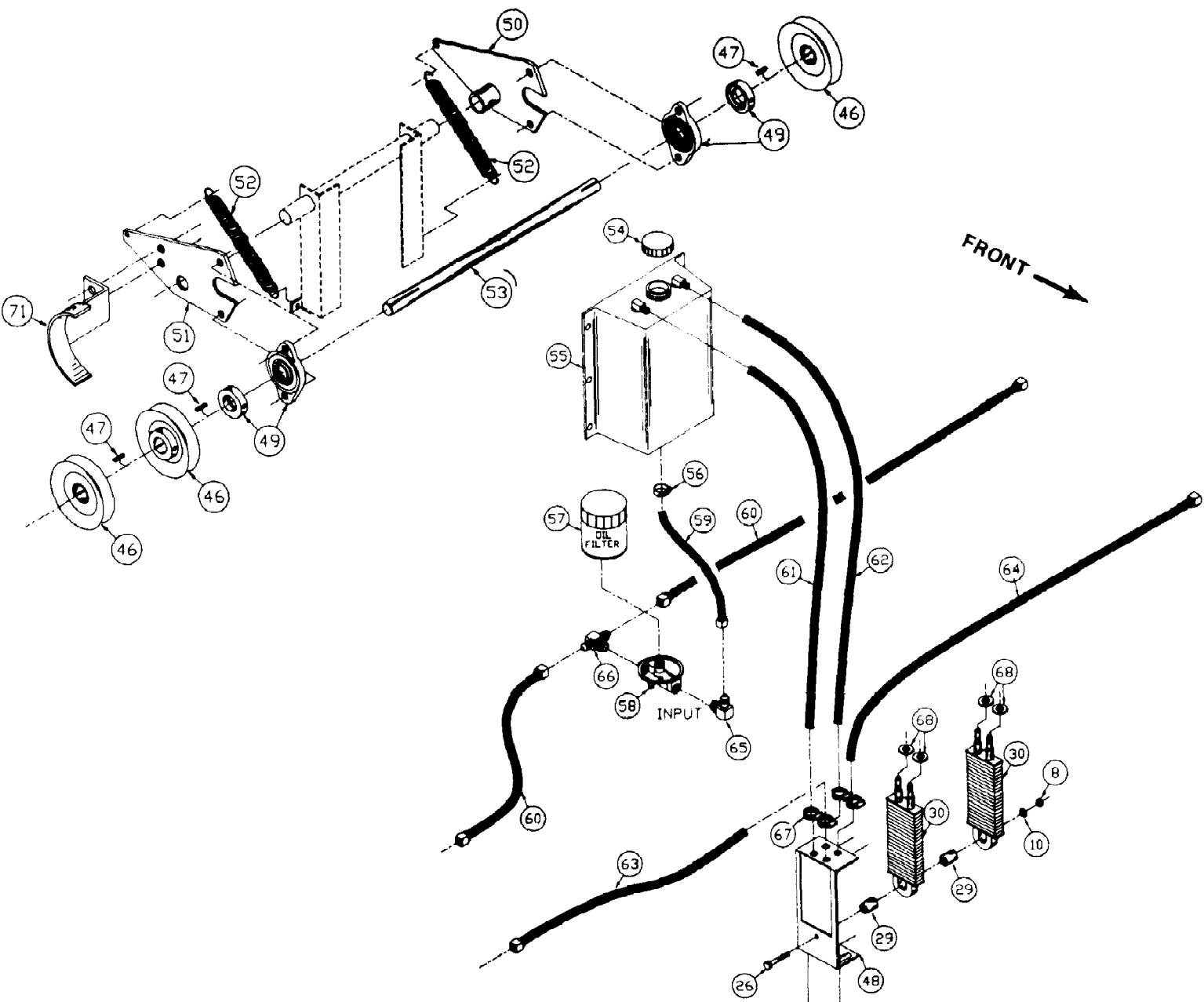
132-013-190 FR-1800 (1992)

Page 17 of 48

AGRI-FAB Sundstrand Base Assembly - S/N 41-027-012841 & Later



Ref #	Part Number	Qty	S/P/F	Description
?1	WD-114-0000	1		Base, SA
2	WD-301-0024	1		Deck Arm
3	WD-300-0023LH	1		Deck Arm, Front, LH
4	WD-300-0023RH	1		Deck Arm, Front, RH
5	WD-300-0022	1		Cross Bar Pin
6	WD-300-0014	1		Cross Bar
7	WD-300-0041	1		Wire Tube
8	WD-111-0023	1		Forward Nose Down Lock
9	WD-114-0003	1		Drive Idler Tube
10	WD-300-0013S	3	S	Deck Lift Arm Bushing, Short
11	WD-300-0013	1	S	Deck Lift Arm Bushing
12	WD-900-6129	6		Hex Bolt, 1/2-13 x 1 1/4", GR5
13	WD-900-6131	1		Hex Bolt, 1/2-13 x 2 1/4", GR5
14	WD-900-6088	2		Hex Tap Bolt, 3/8-16 x 3", GR5
15	WD-900-6128	8		Flatwasher, 1/2"
16	WD-900-6127	7	S	Lockwasher, 1/2"
17	WD-900-6067	1		Lockwasher, 3/8"
18	WD-900-6075	5		Hex Nut, 3/8-16
19	WD-900-6125	1	S	Hex Nut, 1/2-13
20	WD-900-6176	2		Cotter Pin, 1/8" x 1"
21	WD-900-5580	1		Trans. Belt Tightener Spring
22	WD-900-2553	1	S	Idler Pulley, 2 1/4" OD
23	WD-900-6027	6		Elastic Stop Nut, 1/4-20
24	WD-114-0014	1		L Brake Linkage
25	WD-900-6031	2		Hex Bolt, 1/4-20 x 1", GR5
26	WD-900-5824	2		Clutch Brake Cable
27	WD-111-0014	1		Caliper Rod Collar
28	WD-111-0007	1		Caliper Rod
29	WD-900-6175	1		Cotter Pin, 3/32" x 1"
30	WD-900-2554	2		Cable Pulley, 1 1/2" OD
31	WD-114-0010	1		Engine Belt Retainer Bracket
32	WD-114-0011	1		Engine Belt Retainer
33	WD-301-0024LH	1		Deck Arm, LH

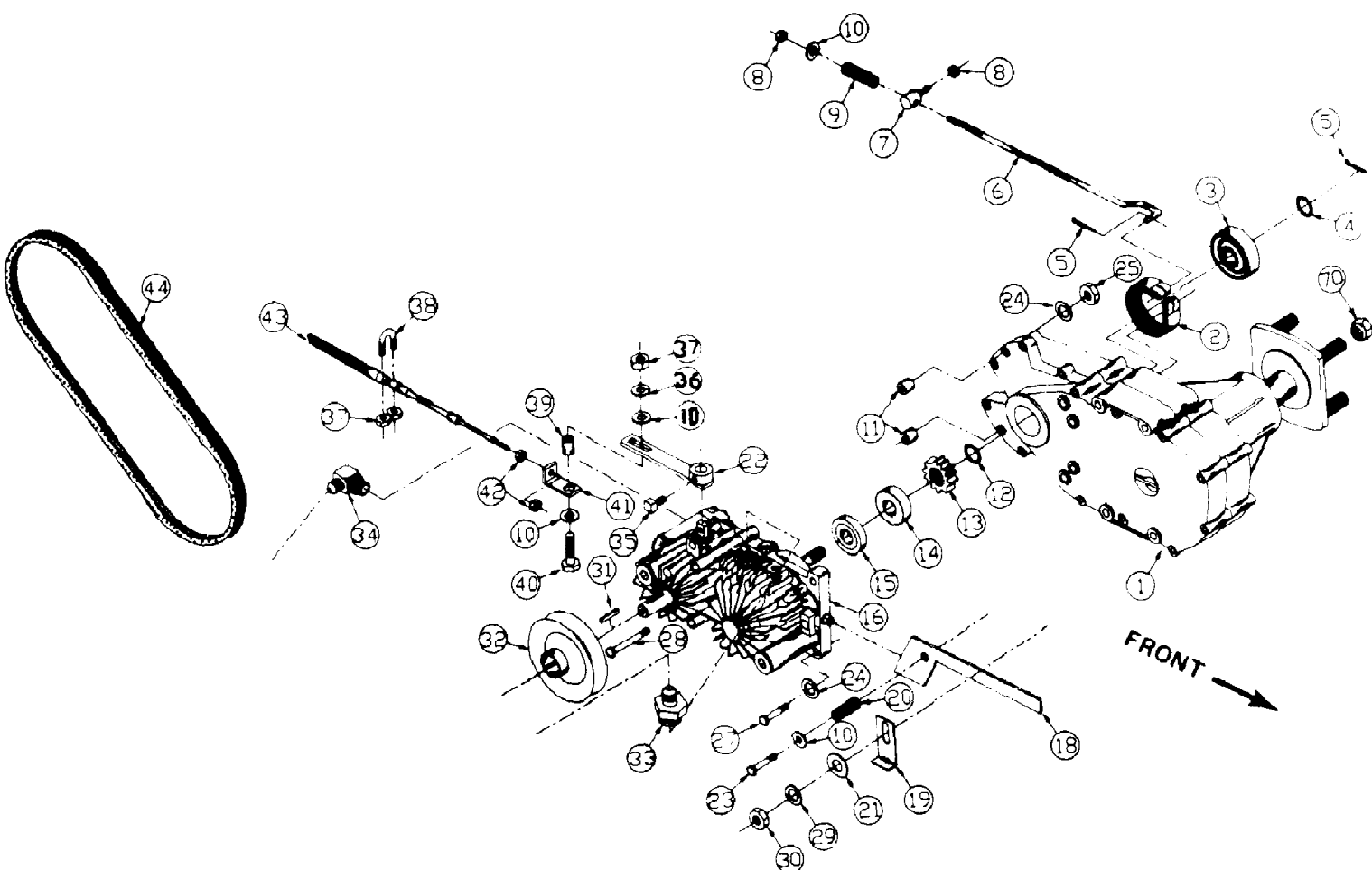


Ref #	Part Number	Qty	S/P/F	Description
8	WD-900-6027	1		Elastic Stop Nut, 1/4-20
10	WD-900-6029	1		Flatwasher, 1/4"
26	WD-900-6022	1		Hex Bolt, 1/4-20 x 2 1/4", GR5
29	WD-900-5840	2		Rubber Bushing
30	WD-900-8164	2		Oil Cooler
46	WD-900-2506	3	S	Pulley, 4" x 3/4" ID
47	WD-300-0021	3	S	Key, 3/16" x 3/16" x 1"
48	WD-114-0012	1		Oil Cooler Mount
49	WD-900-3516	2		Bearing, 2-Bolt Flanged
50	WD-114-0006	1	S	Cross Shaft Bearing Mount, LH
51	WD-114-0007	1	S	Cross Shaft Bearing Mount, RH
52	WD-900-6502	2		Ext. Spring, 1" x 7 1/4", 11 GA
53	WD-114-0002	1	S	Drive Cross Shaft
54	WD-900-8059	1	S	Oil Tank Cap
55	WD-900-8165	1	S	Oil Tank, SA
56	WD-900-5733	1		Hose Clamp, 5/8"
57	WD-900-8073	1	S	Filter Element
58	WD-900-8072	1	S	Filter Head, #6 Ports
59	WD-900-8173	1		Hose Assembly, 5/8" x 11"
60	WD-900-8170	2		Hose Assembly, 3/8" x 13"
61	WD-900-8169	1	S	Hose, 3/8" x 25"
62	WD-900-8174	1		Hose, 3/8" x 27"
63	WD-900-8172	1		Hose Assembly, 3/8" x 38"
64	WD-900-8171	1		Hose Assembly, 3/8" x 24"
65	WD-900-8076	1		Male Tube, 90° Male O-ring Adpt.
66	WD-900-8095	1		Male O-ring, Male Tube Tee
67	WD-900-5657	4		Hose Clamp, 3/8"
68	WD-900-5829	4		Grommet, 1/2" ID x 1" OD
71	WD-114-0008	1		Cross Shaft Belt Retainer

132-013-190 FR-1800 (1992)

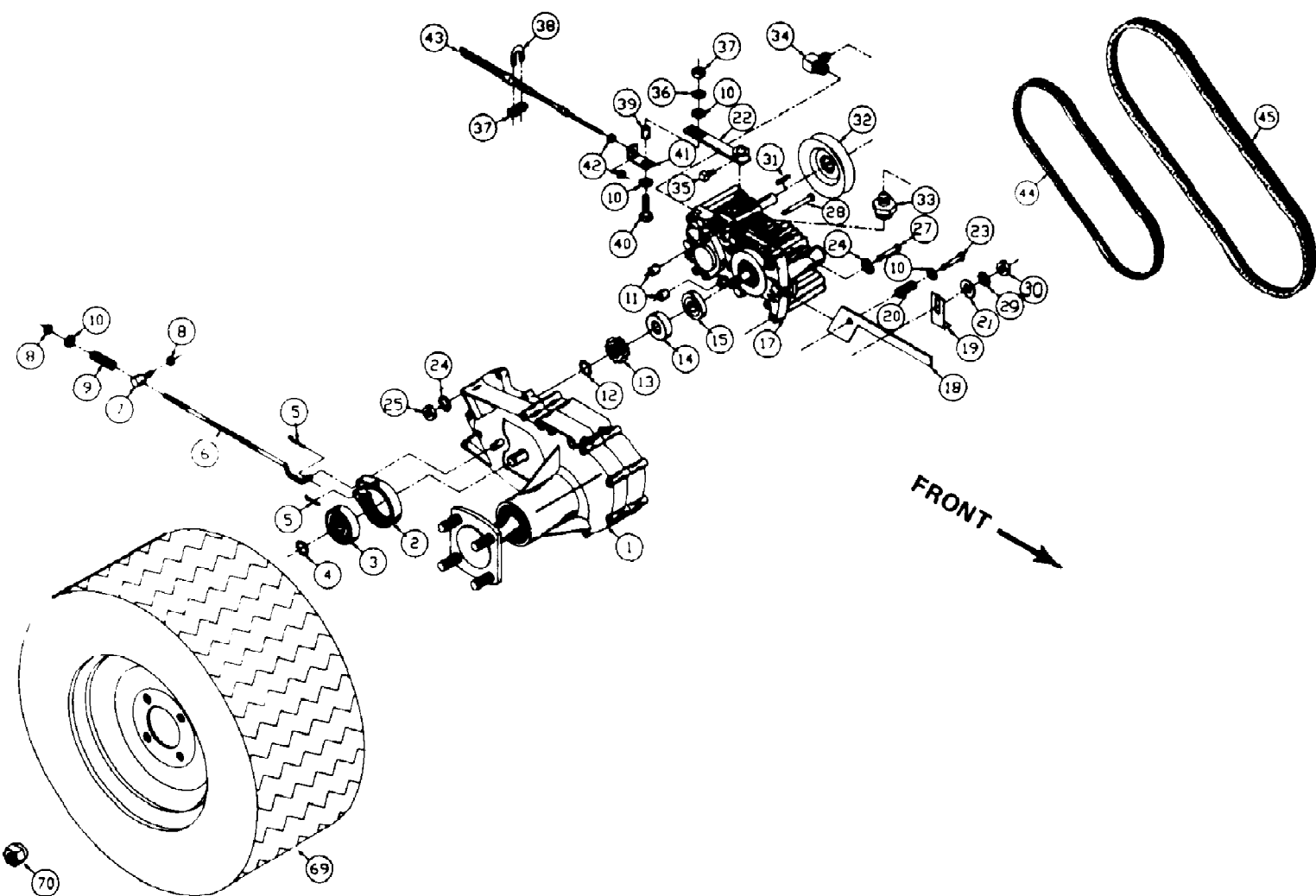
Page 21 of 48

AGRI-FAB Sundstrand LH Drive Assy S/N 41-027-012814-Up



Ref #	Part Number	Qty	S/P/F	Description
1	WD-900-8134	1		ZT Transmission
2	WD-900-7050	1		Brake Band
3	WD-900-7051	1	S	Brake Drum
4	WD-900-7052	1		Snap Ring
5	WD-900-6167	2		Cotter Pin, 1/8" x 1"
6	WD-114-0004	1		Brake Linkage Rod
7	WD-111-0014	1		Caliper Rod Collar
8	WD-900-6027	2		Elastic Stop Nut, 1/4-20
9	WD-900-5722	1		Spring
10	WD-900-6029	5		Flatwasher, 1/4"
11	WD-900-7045	2		Spacer
12	WD-900-7046	1	S	Snap Ring
13	WD-900-7047	1		Gear
14	WD-900-7048	1	S	Bearing
15	WD-900-7049	1		Spacer
16	WD-900-8133	1		Sundstrand Pump, LH
18	WD-114-0005	1		Transmission Dump Lever
19	WD-114-0001	1		Transmission Dump Lever Stop
20	WD-900-6501	1		Compression Spring, 9/16" OD x 1 3/8"
21	WD-900-6052	1		Flatwasher, 3/8"
22	WD-114-0013	1		Transmission Arm
23	WD-900-6019	1		Dump Valve Bolt
24	WD-900-6051	4		Lockwasher, 5/16"
25	WD-900-6050	2		Hex Nut, 5/16-18
27	WD-900-6061	2		Hex Bolt, 5/16-18 x 2", GR5
28	WD-900-6073	2	S	Hex Bolt, 5/16-18 x 7 1/2", GR5
29	WD-900-5840	1		Lockwasher, 3/8"
30	WD-900-8164	1		Hex Nut, 3/8-16
31	WD-900-6168	1		Key, 5 x 5 x 25mm
32	WD-900-2552	1		Pulley, 4" OD x 15mm ID
33	WD-900-8168	1		Male Tube, Male O-ring Adapter
34	WD-900-8116	1		Male Tube, 90° Male O-ring Adpt.
35	WD-900-6058	1		Squarehead Setscrew, 5/16-18 x 1/2"
36	WD-900-6028	1		Lockwasher, 1/4"
37	WD-900-6026	3		Hex Nut, 1/4-20
38	WD-900-5503	1	S	Steering Cable Clamp
39	WD-200-0014	1	S	Steering Cable Bushing
40	WD-900-6031	1		Hex Bolt, 1/4-20 x 1", GR5
41	WD-200-0013	1	S	Steering Cable End
42	WD-900-6150	2		Hex Nut w/Star Washer, 10-32
43	WD-900-5819	1	S	Steering Cable, 3/16" x 58"
44	WD-900-3027	1	S	Pump Drive Belt
?69	WD-900-4048	1		Drive Wheel Assembly (Not shown)
	WD-900-4042	1		Tire, 18 x 9.50-8
	WD-900-4040	1		Rim, 8 x 5 1/2"
70	WD-900-6138	4		Lug Nut, 1/2-20

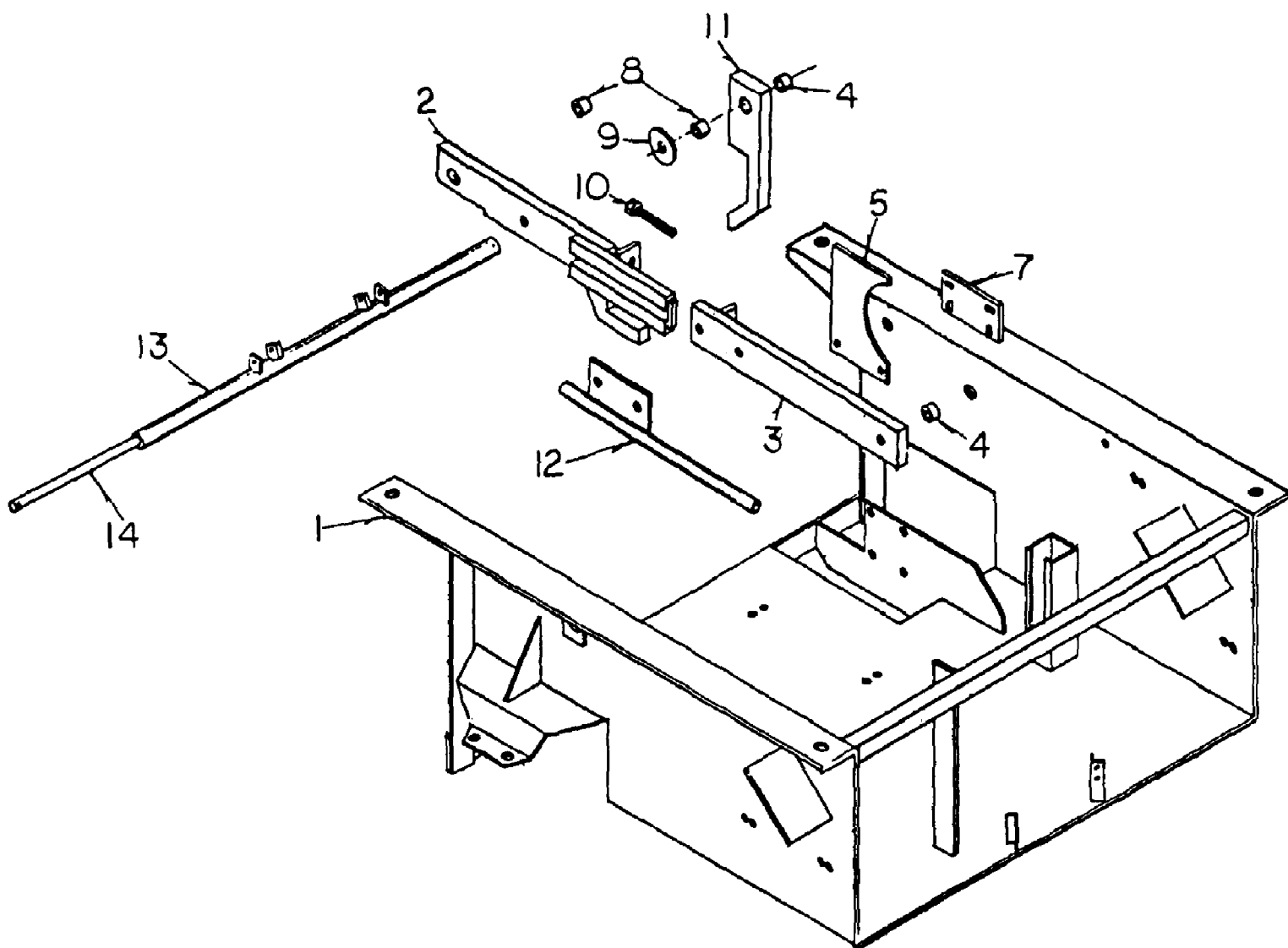
132-013-190 FR-1800 (1992)  
AGRI-FAB Sundstrand RH Drive - S/N 41-027-012814-Up



Ref #	Part Number	Qty	S/P/F	Description
1	WD-900-8134	1		ZT Transmission
2	WD-900-7050	1		Brake Band
3	WD-900-7051	1	S	Brake Drum
4	WD-900-7052	1		Snap Ring
5	WD-900-6167	2		Cotter Pin, 1/8" x 1"
6	WD-114-0004	1		Brake Linkage Rod
7	WD-111-0014	1		Caliper Rod Collar
8	WD-900-6027	2		Elastic Stop Nut, 1/4-20
9	WD-900-5722	1		Spring
10	WD-900-6029	5		Flatwasher, 1/4"
11	WD-900-7045	2		Spacer
12	WD-900-7046	1	S	Snap Ring
13	WD-900-7047	1		Gear
14	WD-900-7048	1	S	Bearing
15	WD-900-7049	1		Spacer
17	WD-900-8132	1		Sundstrand Pump, RH
18	WD-114-0005	1		Transmission Dump Lever
19	WD-114-0001	1		Transmission Dump Lever Stop
20	WD-900-6501	1		Compression Spring, 9/16" OD x 1 3/8"
21	WD-900-6052	1		Flatwasher, 3/8"
22	WD-114-0013	1		Transmission Arm
23	WD-900-6019	1		Dump Valve Bolt
24	WD-900-6051	4		Lockwasher, 5/16"
25	WD-900-6050	2		Hex Nut, 5/16-18
27	WD-900-6061	2		Hex Bolt, 5/16-18 x 2", GR5
28	WD-900-6073	2	S	Hex Bolt, 5/16-18 x 7 1/2", GR5
29	WD-900-5840	1		Lockwasher, 3/8"
30	WD-900-8164	1		Hex Nut, 3/8-16
31	WD-900-6168	1		Key, 5 x 5 x 25mm
32	WD-900-2552	1		Pulley, 4" OD x 15mm ID
33	WD-900-8168	1		Male Tube, Male O-ring Adapter
34	WD-900-8116	1		Male Tube, 90° Male O-ring Adpt.
35	WD-900-6058	1		Squarehead Setscrew, 5/16-18 x 1/2"
36	WD-900-6058	1		Lockwasher, 1/4"
37	WD-900-6028	3		Hex Nut, 1/4-20
38	WD-900-5503	1	S	Steering Cable Clamp
39	WD-200-0014	1	S	Steering Cable Bushing
40	WD-900-6031	1		Hex Bolt, 1/4-20 x 1", GR5
41	WD-200-0013	1	S	Steering Cable End
42	WD-900-6150	2		Hex Nut w/Star Washer, 10-32
43	WD-900-5819	1	S	Steering Cable, 3/16" x 58"
44	WD-900-3027	1	S	Pump Drive Belt
45	WD-900-3010	1	S	Belt
69	WD-900-4048	1		Drive Wheel Assembly
	WD-900-4042	1		Tire, 18 x 9.50-8
	WD-900-4040	1		Rim, 8 x 5 1/2"
70	WD-900-6138	4		Lug Nut, 1/2-20



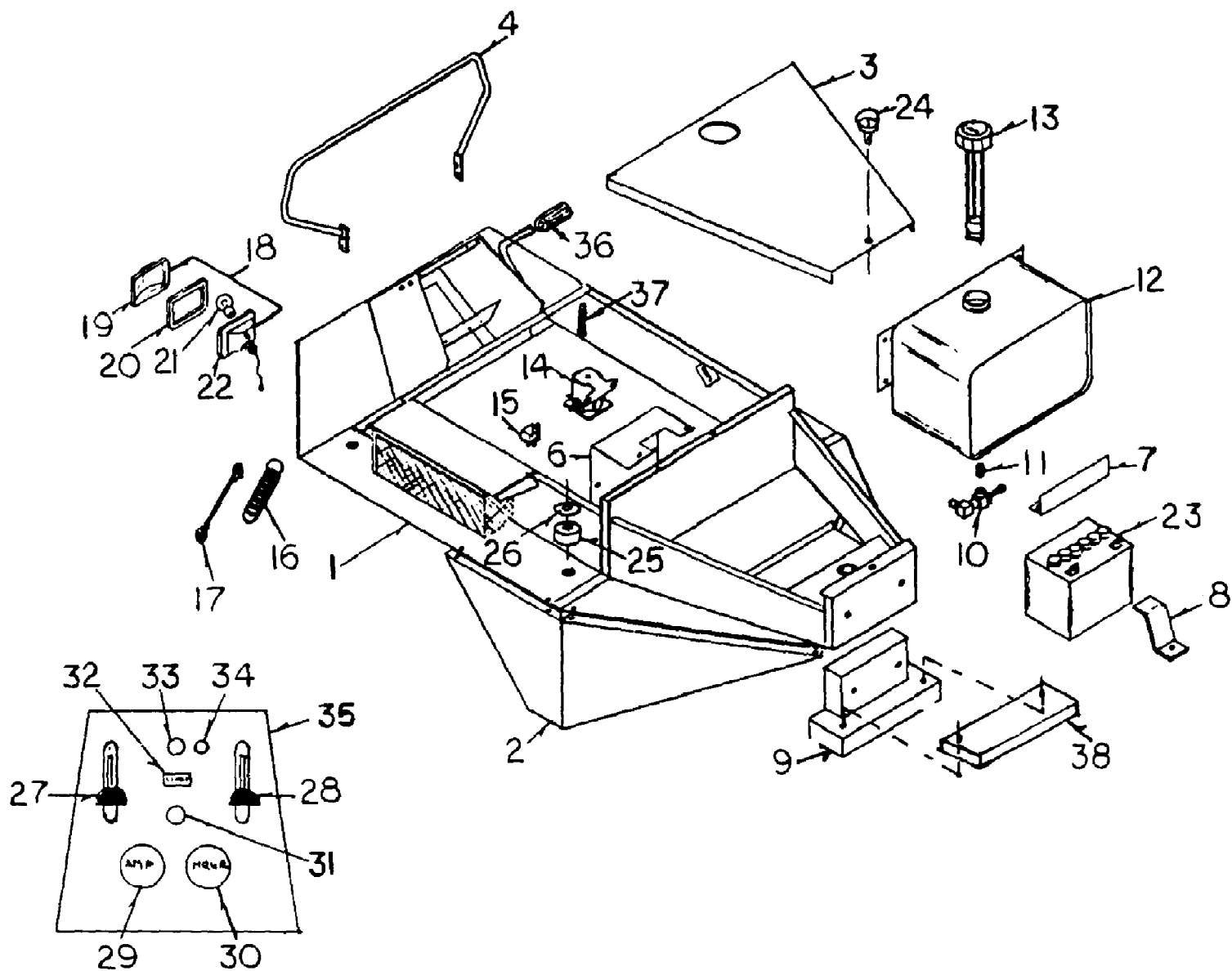
132-013-190 FR-1800 (1992)  
Base Assembly - Prior to S/N 41-027-012814



132-013-190 FR-1800 (1992)  
Base Assembly - Prior to S/N 41-027-012814

Page 26 of 48

Ref #	Part Number	Qty	S/P/F	Description
1	WD-113-0000	1		Base
2	WD-300-0023RH	1		Deck Lift Arm, Front RH
	WD-300-0023LH	1		Deck Lift Arm, Front LH
3	WD-301-0024	2		Deck Lift Arm, Back
4	WD-300-0013S	2	S	Bushing, Short
5	WD-113-0007	1		Belt Retainer
7	WD-112-0008	1		Belt Retainer Mount
8	WD-300-0013	2	S	Bushing, Long
9	WD-200-0015	1		Washer
10	WD-900-6088	2		Deck Belt Adjustment Bolt
11	WD-111-0023	1		Forward Nose Down Lock
12	WD-300-0041	1		Wire Tube
13	WD-300-0014	1		Cross Bar
14	WD-300-0022	1		Cross Bar Pin

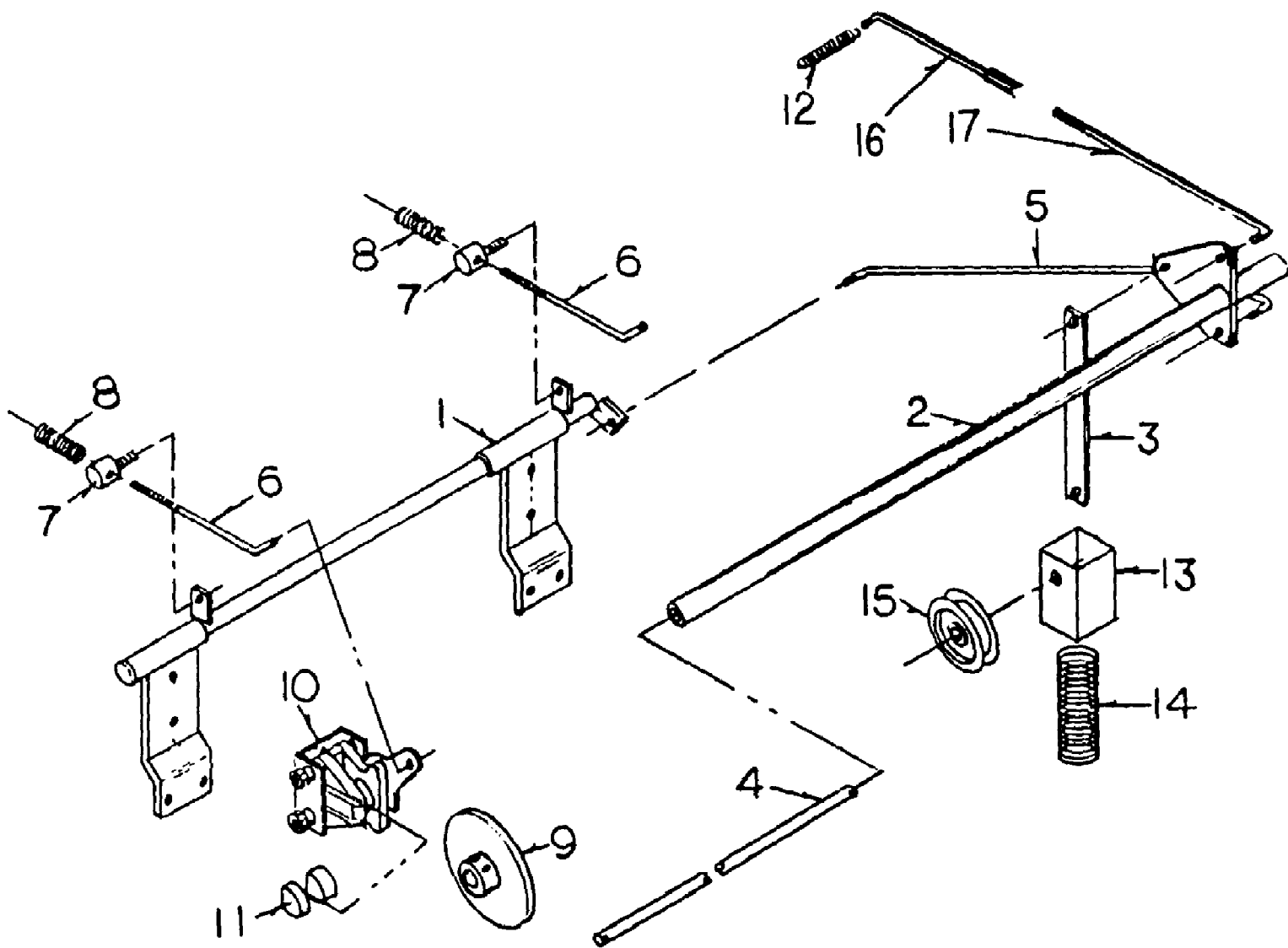


132-013-190 FR-1800 (1992)  
Body Assembly

Page 28 of 48

Ref #	Part Number	Qty	S/P/F	Description
1	WD-201-0000	1		Body
2	WD-201-0017	1		Fender, RH
	WD-201-0016	1		Fender, LH (Shown)
3	WD-201-0009	1		Back Cover
4	WD-200-0007	1		Guard Rail
?5	WD-900-3501	2	S	Bearing
6	WD-213-0001	1		Oil Tank Mount
7	WD-200-0019	1		Hold Down
8	WD-200-0021	1		Battery Post Protector
9	WD-230-0002	1		Tail Weight
10	WD-900-5513	1		Shutoff Valve, Fuel
11	WD-900-5706	1		Nipple, 1/8"
12	WD-900-5533	1		Fuel Tank
13	WD-900-5561	1	S	Fuel Tank Cap w/ Gauge
14	WD-900-2005	1		Solenoid
15	WD-900-2037	1	S	Relay
16	WD-900-5516	2		Deck Spring
17	WD-900-5518	2	S	Deck Lift Cable
18	WD-900-2014	2		Light Assembly
19	WD-900-2024	2	S	Lens
20	WD-900-2068	4		Gasket
21	WD-900-2025	2	S	Bulb
22	WD-900-2026	2		Lamp
23	WD-900-2060	1		Battery
24	WD-900-5522	1		Dzus Fastener
25	WD-900-5509	8		Rubber Body Mount
26	WD-200-0015	4		Body Mount Washer
27	WD-900-5508	1		Choke Cable
28	WD-900-5605	1	S	Throttle Cable
29	WD-900-2002	1		Amp Meter
30	WD-900-2023	1	S	Hour Meter
31	WD-900-2003	1	S	Ignition Switch
32	WD-900-2027	1	S	Light Switch
33	WD-900-2028	1	S	Clutch Switch
34	WD-900-2041	1		Oil Light
35	WD-201-0006	1	S	Dash Board
36	WD-900-5563	1	S	Brake Pedal Pad
37	WD-900-5569	1	S	Spring
38	WD-230-0010	1		Tail Weight, 13 lb. (Opt.)

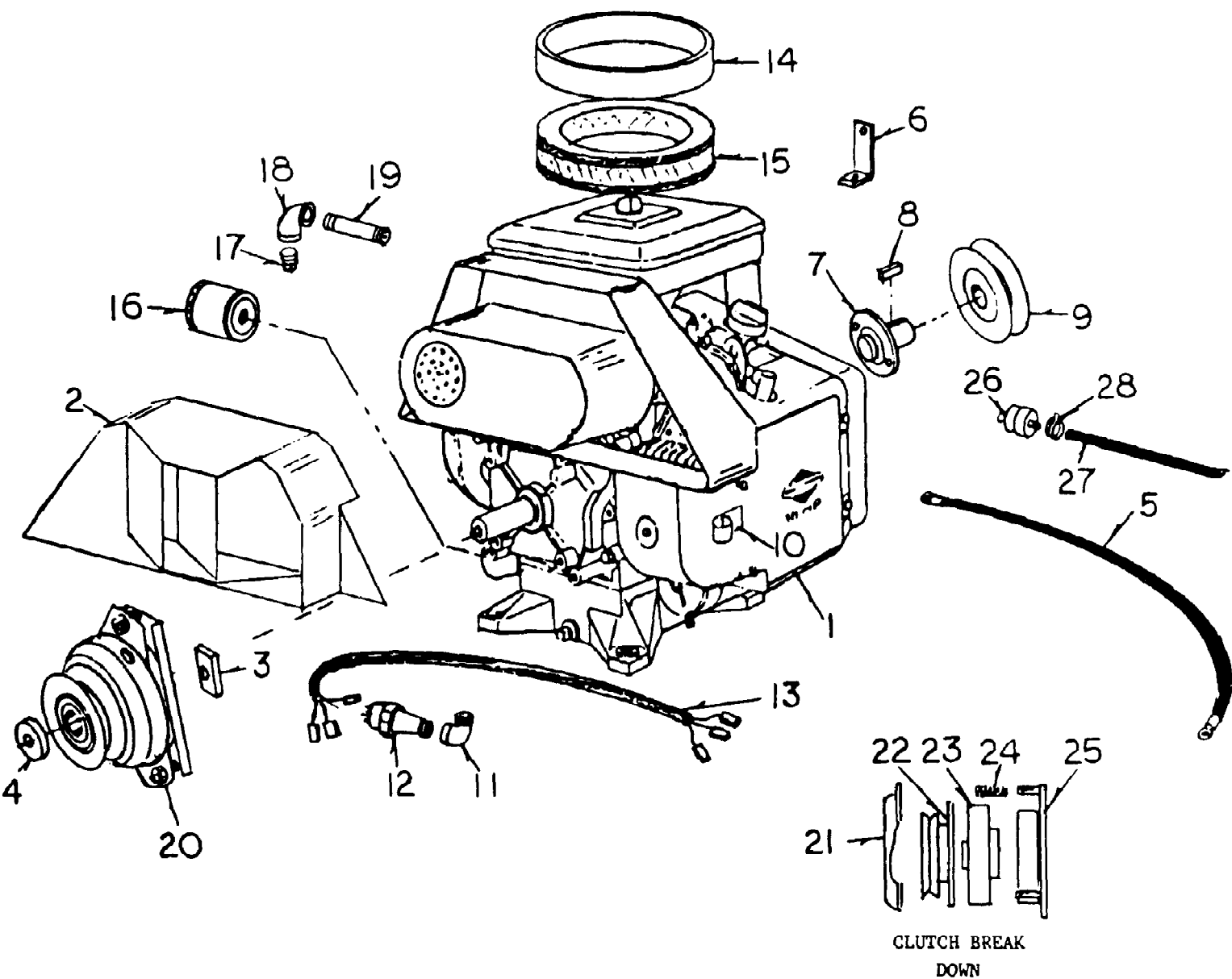
132-013-190 FR-1800 (1992)  
Brake Assembly S/N Prior to 41-027-012814



132-013-190 FR-1800 (1992)  
 Brake Assembly S/N Prior to 41-027-012814

Page 30 of 48

Ref #	Part Number	Qty	S/P/F	Description
1	WD-113-0003	1		Brake Mount & Cross Rod Ass'y.
2	WD-113-0013	1		Brake Clutch Cross Rod
3	WD-113-0012	1		Cross Rod to Idler Pulley Linkage
4	WD-300-0022	1		Cross Bar Pin
5	WD-113-0006	1		Cross Rod to Brake Linkage
6	WD-113-0001	2		Caliper Rod
7	WD-111-0014	2		Caliper Rod Collar
8	WD-900-5722	2		Brake Caliper Spring
9	WD-900-4525	2		Brake Disc
10	WD-900-5690	2		Brake Assembly
11	WD-900-5567	1	S	Brake Pucks
12	WD-900-5501	1		Brake Pedal Spring
13	WD-111-0019	1		Spring Loaded Idler Mount
14	WD-900-5580	1		Transmission Belt Idler Spring
15	WD-900-2501	1	S	Idler Pulley
16	WD-113-0014	1		Brake Rod, Adjustable
17	WD-111-0007	1		Caliper Rod

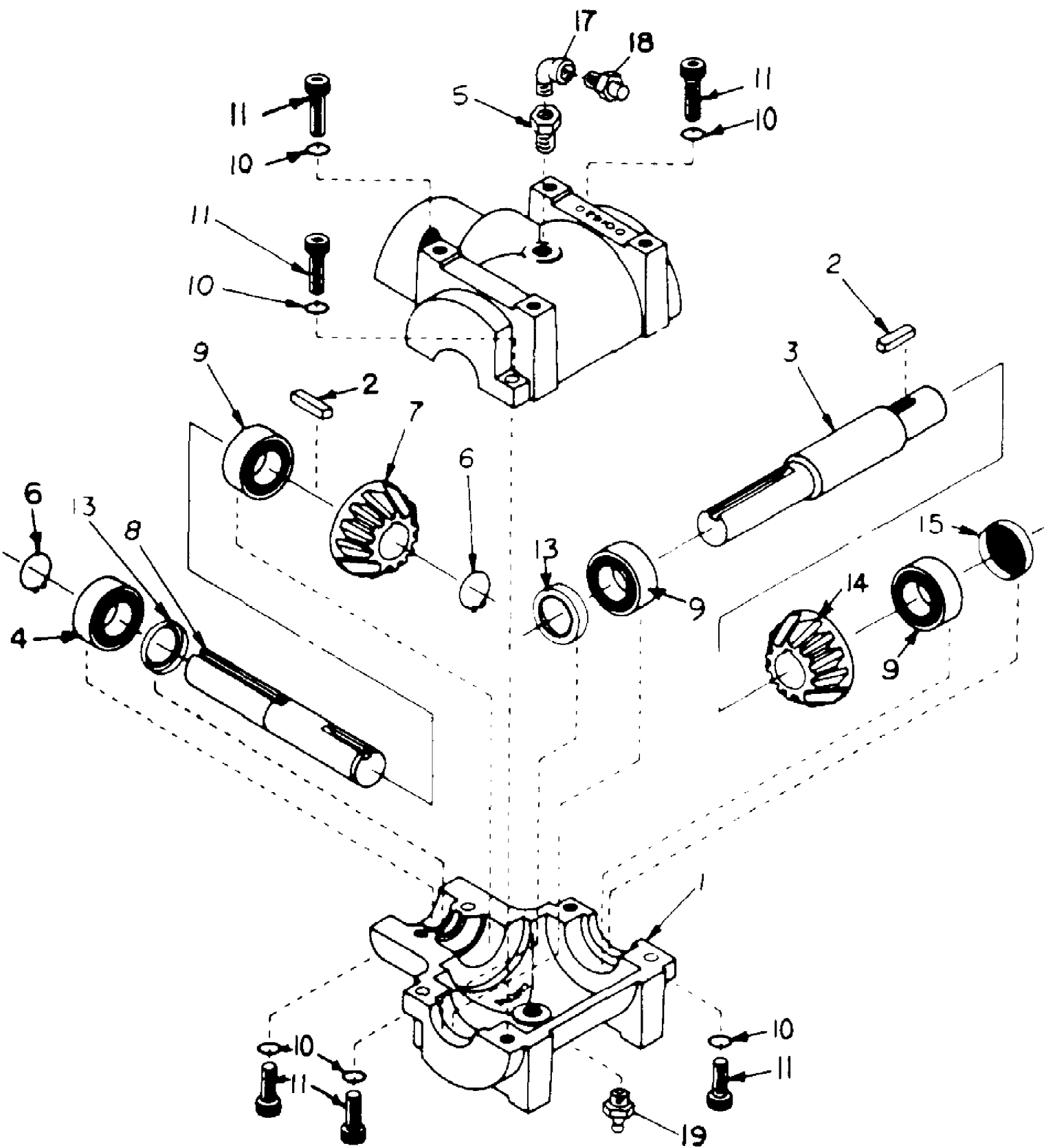


132-013-190 FR-1800 (1992)  
Briggs & Stratton Engine

Page 32 of 48

Ref #	Part Number	Qty	S/P/F	Description
1		1		Briggs & Stratton Twin 18 HP
2	WD-111-0001	1		Air Duct
3	WD-113-0010	2	S	Clutch Stop
4	WD-900-5575	1		Clutch Retainer Washer
5	WD-900-2010	1		Starter Cable
6	WD-111-0034	2		Wire Standoff
7	WD-100-0013	1	S	Stub Shaft
8	WD-100-0014	1	S	Key Stock, 1/4"
9	WD-900-2503	1	S	Pulley
10	WD-100-0021	1		Starter Cable Retainer
11	WD-900-5020	1		Street Elbow, 1/8"
12	WD-900-5017	1	S	Oil Sending Unit
13	WD-900-2067	1		Wire Harness (Oil Sending Unit)
14	WD-900-5008	1	S	Pre Cleaner
15	WD-900-5005	1	S	Air Cleaner Cartridge
16	WD-900-5022	1	S	Oil Filter
17	WD-900-8024	1		Plug, 3/8"
18	WD-900-5720	1		Elbow, 3/8"
19	WD-900-5721	1		Nipple, 3/8"
20	WD-900-5581	1	S	Clutch (Complete)
21	WD-900-5582	1		Clutch Brake
22	WD-900-5583	1		Clutch Armature
23	WD-900-5584	1	S	Clutch Rotor
24	WD-900-5586	1		Spring & Nut Set (3 Ea.)
25	WD-900-5585	1	S	Clutch Coil
26	WD-900-5514	1	S	Fuel Filter
27	WD-900-5515	1		Fuel Line
28	WD-900-5525	4	S	Fuel Line Clamp

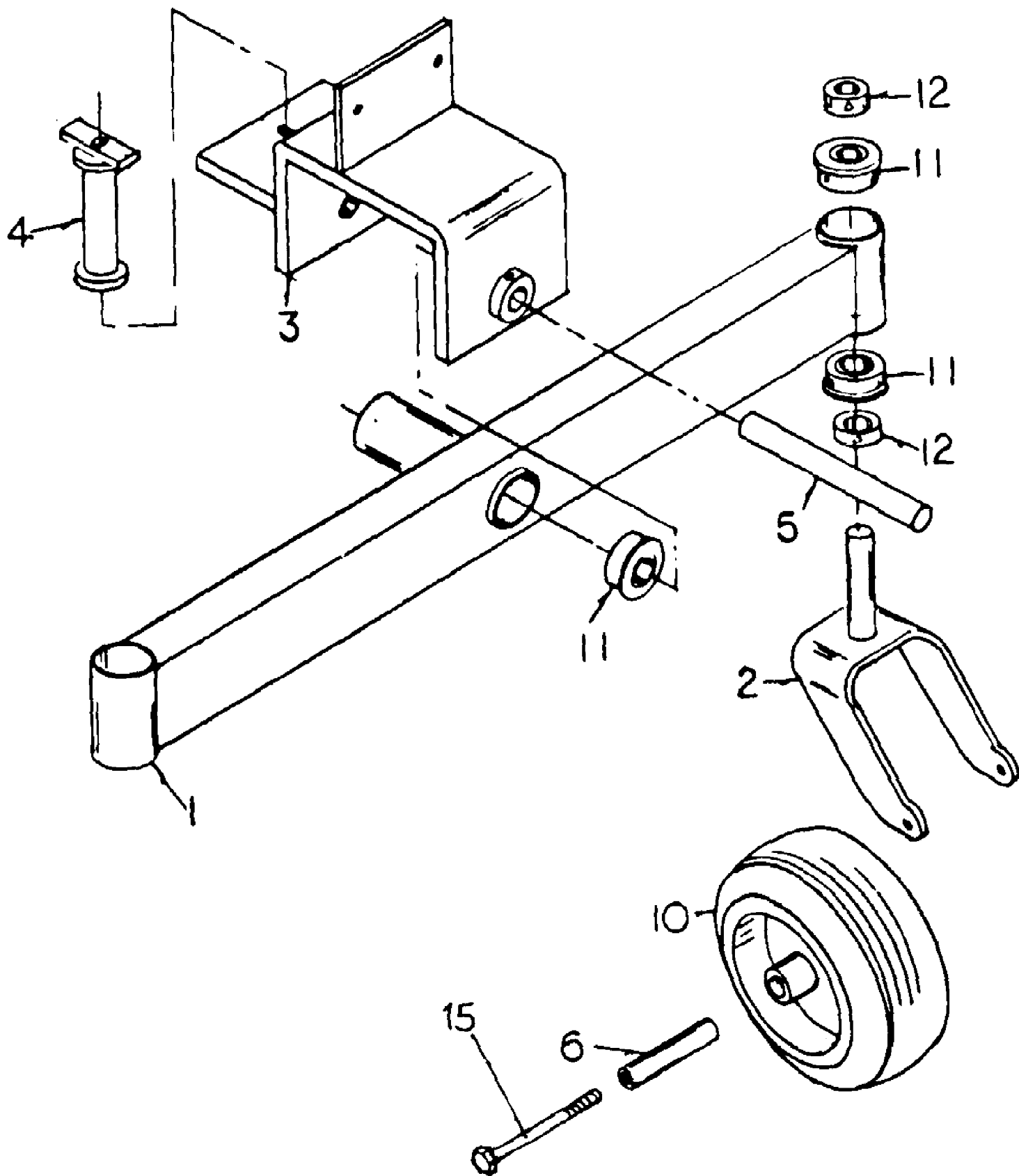




132-013-190 FR-1800 (1992)  
Curtis Gearbox

Page 34 of 48

Ref #	Part Number	Qty	S/P/F	Description
	WD-900-5842	1	S	Curtis Gearbox
1	WD-900-7036	2		Housing Half
2	WD-900-7001	2	S	Key, 3/16" x 3/16" x 1"
3	WD-900-7037	1		Shaft
4	WD-900-7008	1	S	Ball Bearing
5	WD-15001	1		Pipe Bushing, 1/4" x 1/8"
6	WD-900-7005	2		Retaining Ring
7	WD-900-7038	1		Output Shaft Gear
8	WD-900-7044	1	S	Shaft
9	WD-900-7041	3	S	Ball Bearing
10	WD-900-7009	6		Lockwasher
11	WD-900-7010	6		Allenhead Capscrew
13	WD-900-7042	2	S	Seal
14	WD-900-7040	1		Input Shaft Gear
15	WD-900-7043	1	S	Expansion Plug
?16	WD-900-5535	1	S	Gearbox
17	WD-900-5020	1		Street Elbow, 1/8" x 90°
18	WD-900-7004	1	S	Relief Valve
19	WD-900-7053	1	S	Grease Zerk, 1/4" NPT
	WD-999-2010	1		Grease, SHC-460

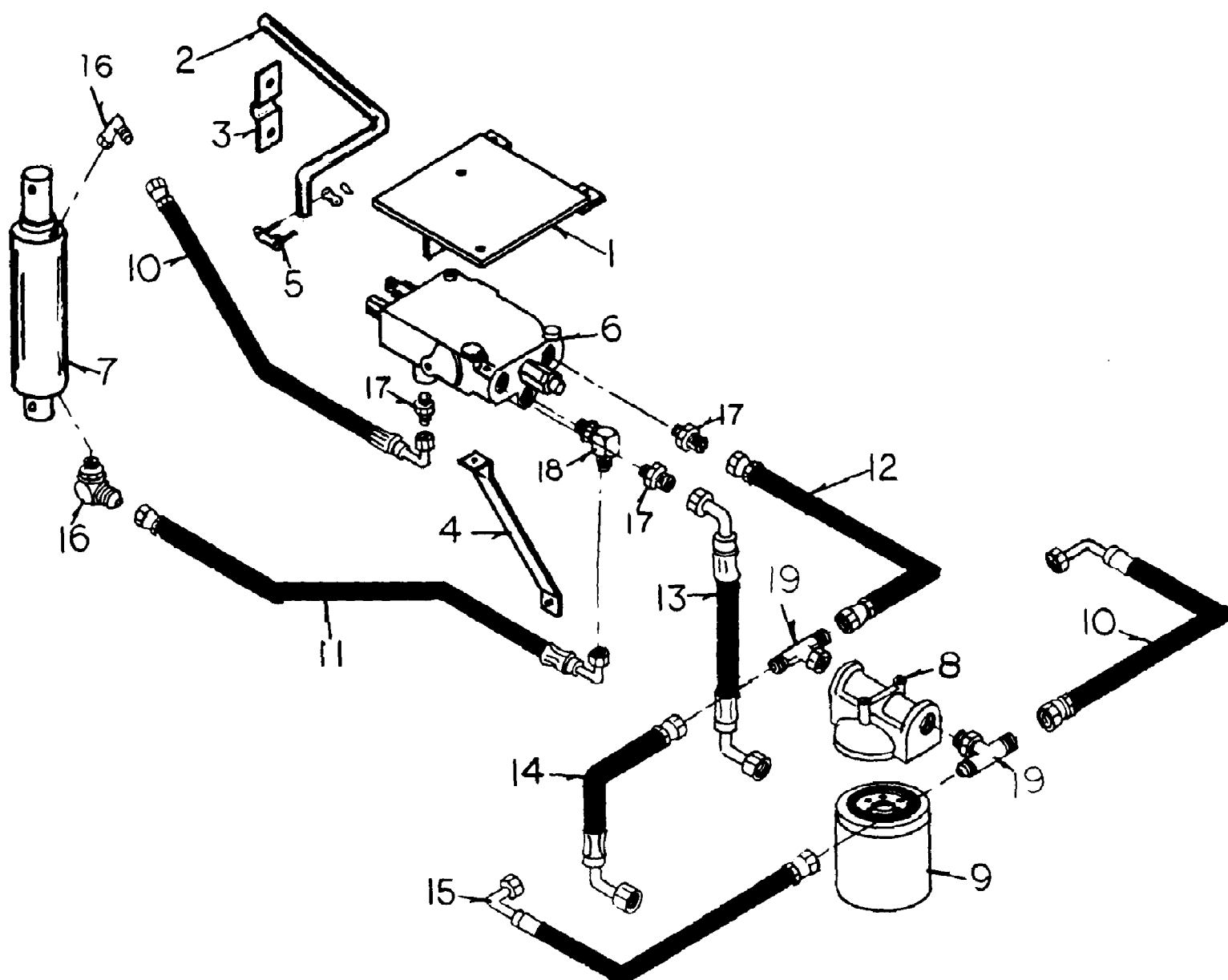


132-013-190 FR-1800 (1992)  
Dual Tail Wheel Assembly

Page 36 of 48

Ref #	Part Number	Qty	S/P/F	Description
1	WD-230-0004	1		Dual Tail Wheel Axle
2	WD-230-0007	2		Dual Tail Wheel Fork
3	WD-230-0005	1		Dual Tail Wheel Mount
4	WD-230-0006	1		Dual Tail Wheel Tube Block
5	WD-230-0008	1		Pivot Axle
6	WD-200-0017	2	S	Tail Wheel Axle
10	WD-900-4022	2	S	Tail Wheel Assembly
	WD-900-3505	1	S	Bearing, Wheel Assembly
	WD-900-4047	1		Tire, 13 x 5.00-6
	WD-900-4050	1		Rim, 6" x 4"
11	WD-900-3501	6	S	Bearing, 1"
12	WD-900-5510	4		Set Collar, 1"
15	WD-900-6133	2	S	Hex Capscrew, 1/2-13 x 6 1/2"

132-013-190 FR-1800 (1992)  
Hydraulic Lift Assembly



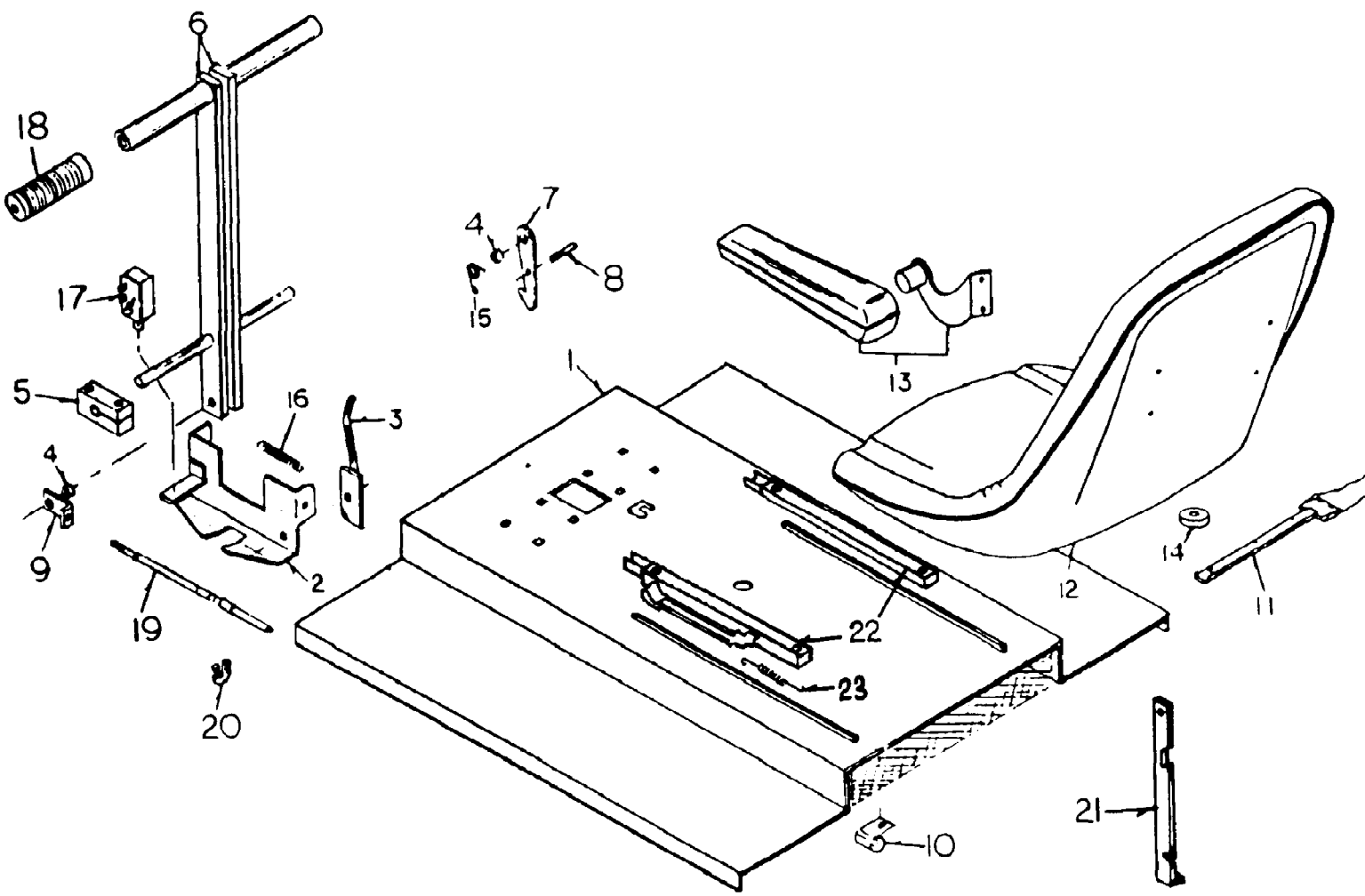
132-013-190 FR-1800 (1992)  
Hydraulic Lift Assembly

Page 38 of 48

Ref #	Part Number	Qty	S/P/F	Description
1	WD-212-0002	1		Valve Mount
2	WD-212-0003	1		Valve Lever
3	WD-111-0004	1	S	Bearing, Clutch Brake Cross Rod
4	WD-212-0005	1		Valve Support
5	WD-900-1004	1		Connecting Link, #50
6	WD-900-8000	1		Valve
7	WD-900-8070	1		Lift Cylinder
8	WD-900-8072	1	S	Housing, Oil Filter
9	WD-900-8073	1	S	Element, Oil Filter
10	WD-900-8103	2	S	Hose, 3/8" ID x 26" Long
11	WD-900-8106	1		Hose, 3/8" ID x 31" Long
12	WD-900-8101	1		Hose, 3/8" ID x 20" Long
13	WD-900-8102	1		Hose, 3/8" ID x 13" Long
14	WD-900-8105	1		Hose, 3/8" ID x 11.5" Long
15	WD-900-8104	1		Hose, 3/8" ID x 21" Long
16	WD-900-8116	2		Male O-ring, 90° Male Tube Adp.
17	WD-900-8094	3		Male O-ring, Male Tube Adp.
18	WD-900-8097	1		Male O-ring, 90° Male Tube Adp.
19	WD-900-8095	2		Male Tube, Male O-ring Tee

132-013-190 FR-1800 (1992)  
Seat Lid Assembly

Page 39 of 48



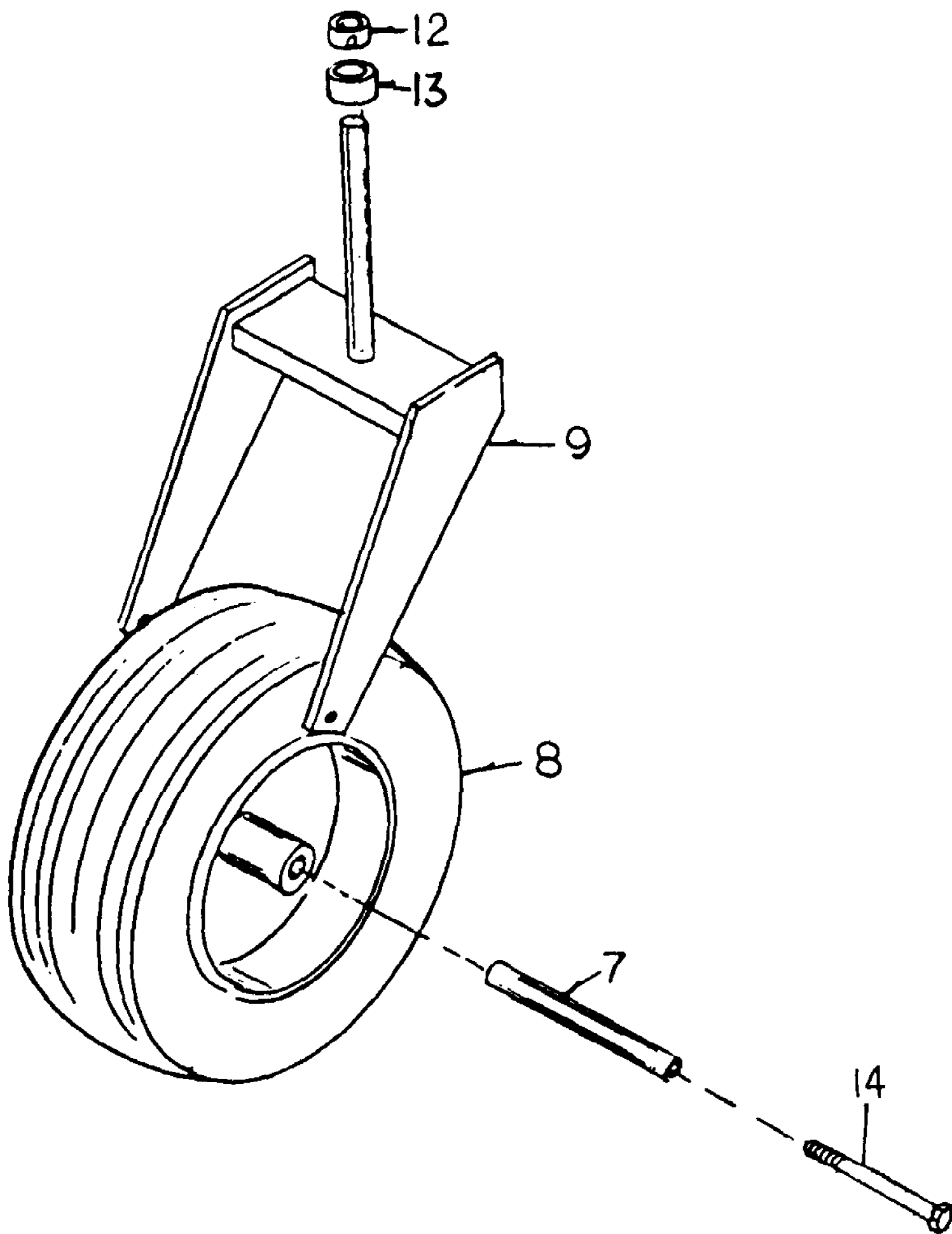
132-013-190 FR-1800 (1992)  
Seat Lid Assembly

Page 40 of 48

Ref #	Part Number	Qty	S/P/F	Description
1	WD-201-0004	1		Seat Lid
2	WD-201-0010	1		Lever Lock
3	WD-200-0012	1		Latch, Lever Lock
4	WD-200-0014	5	S	Bushing
5	WD-200-0010	4		Bearing Block
6	WD-200-0009	2		Steering Lever
7	WD-201-0015	1		Seat Lid Latch
8	WD-201-0014	1		Seat Lid Latch Bolt
9	WD-200-0013	4	S	Steering Cable End (1800)
	WD-140-0023	4		Steering Cable End (2000)
10	WD-201-0018	1		Seat Lid Harness Retainer
11	WD-900-2001	1		Seat Switch
12	WD-900-5597	1		Seat
13		1		Arm Rest Kit (Optional)
14	WD-900-5523	4		Seat Spacer
15	WD-900-5700	1		Seat Lid Latch Spring
16	WD-900-5501	1		Lever Lock Spring
17	WD-900-2029	1	S	Safety Switch
18	WD-900-5500	2	S	Handle Grip
19	WD-900-5502	2	S	Steering Cable (1800 Prior to 41-027-012814)
	WD-900-5819	2	S	Steering Cable (1800 After 41-027-012814)
	WD-900-5717	2		Steering Cable (2000)
20	WD-900-5503	4	S	Steering Cable Clamp (1800)
	WD-900-5625	4		Steering Cable Clamp (2000)
21	WD-200-0008	1		Lid Prop
22	WD-900-5813	1		Seat Rail Kit (Pair)
23	WD-900-5767	1		Seat Spring



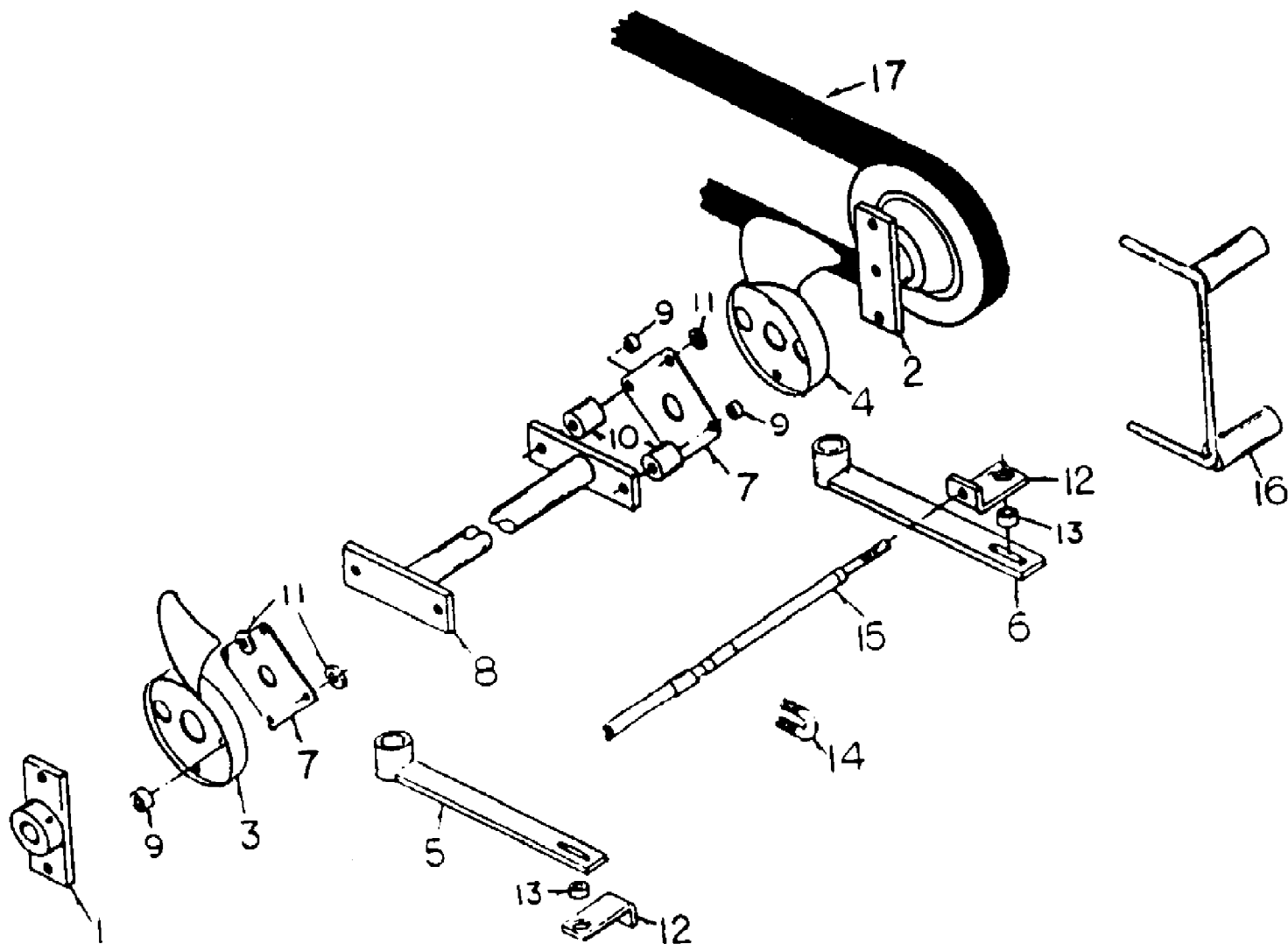
132-013-190 FR-1800 (1992)  
Single Tail Wheel Assembly



132-013-190 FR-1800 (1992)  
Single Tail Wheel Assembly

Page 42 of 48

Ref #	Part Number	Qty	S/P/F	Description
7	WD-230-0017	1		Axle
8	WD-900-4017	1	S	Tail Wheel Assembly
	WD-900-3515	2	S	Bearing, Wheel Assembly
	WD-900-4018	1		Tire, 16 x 6.50-8
	WD-900-4019	1	S	Rim, 8"
9	WD-230-0001	1	S	Tail Wheel Fork
12	WD-900-5510	1		Set Collar, 1"
13	WD-213-0003	1		Spacer, Tail Wheel Fork
14	WD-900-6135	1		Hex Capscrew, 1/2-13 x 9 1/2"



132-013-190 FR-1800 (1992)  
Transmission Drive

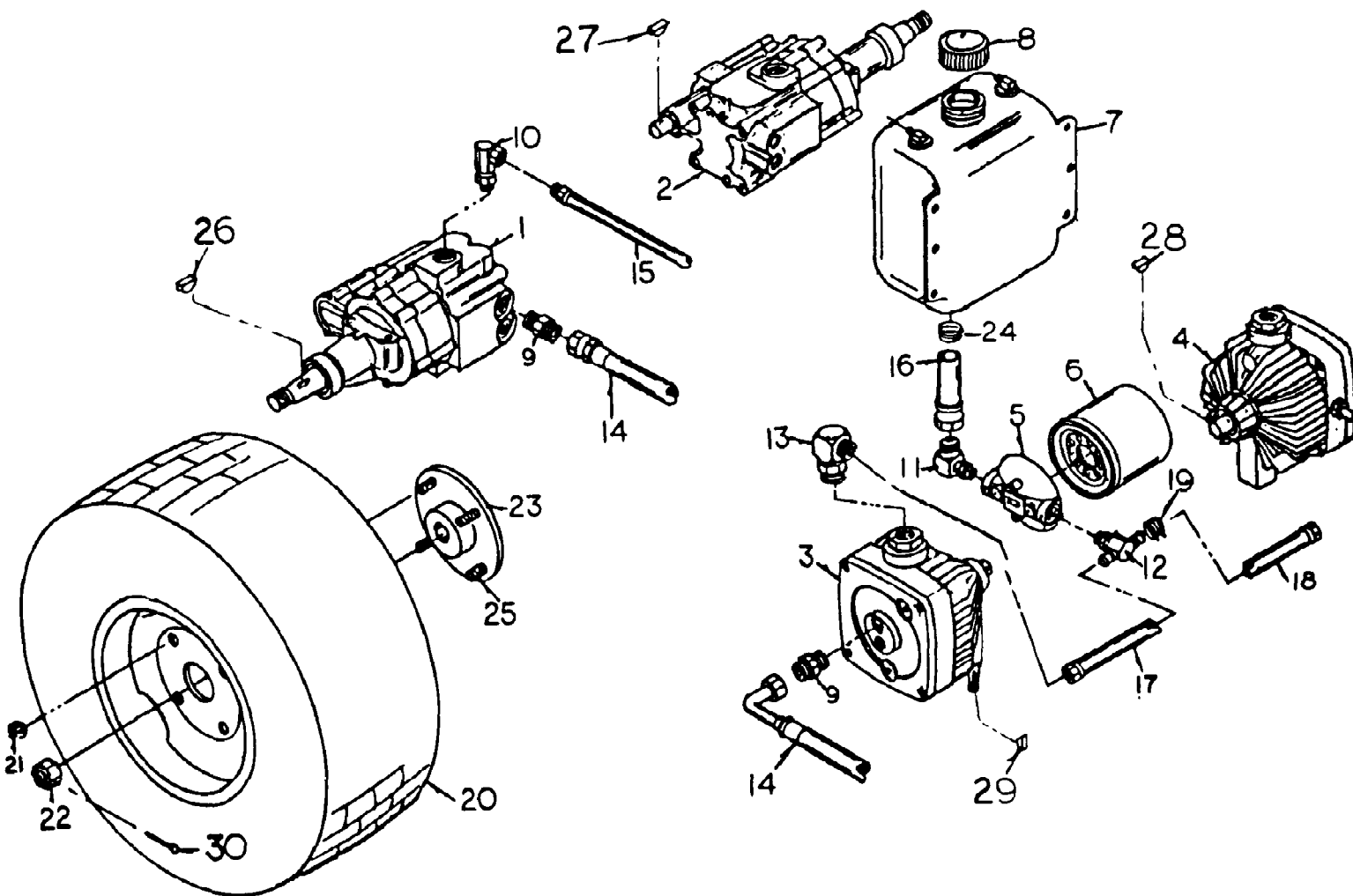
Page 44 of 48

Ref #	Part Number	Qty	S/P/F	Description
1	WD-900-4522	1		Hub w/Drive Plate
2	WD-900-4521	1	S	Pulley w/Drive Plate
3	WD-900-4527	1	S	CCW Fan
4	WD-900-4526	1	S	CW Fan
5	WD-900-4506	1		Transmission Arm, LH
6	WD-900-4507	1		Transmission Arm, RH
7	WD-111-0021	2	S	Drive Plate
8	WD-113-0002	1		Transmission Cross Shaft
9	WD-111-0025	4		Bolt Spacer
10	WD-111-0022	2		Spacer
11	WD-900-6161	6		Washer, 1/4", 10 Ga.
12	WD-200-0013	4	S	Steering Cable End
13	WD-200-0014	4	S	Bushing, Steering Lever
14	WD-900-5503	4	S	Steering Cable Clamp
15	WD-900-5502	2	S	Steering Cable
16	WD-111-0003	1		Belt Retainer, Transmission
17	WD-900-3011	1	S	Belt

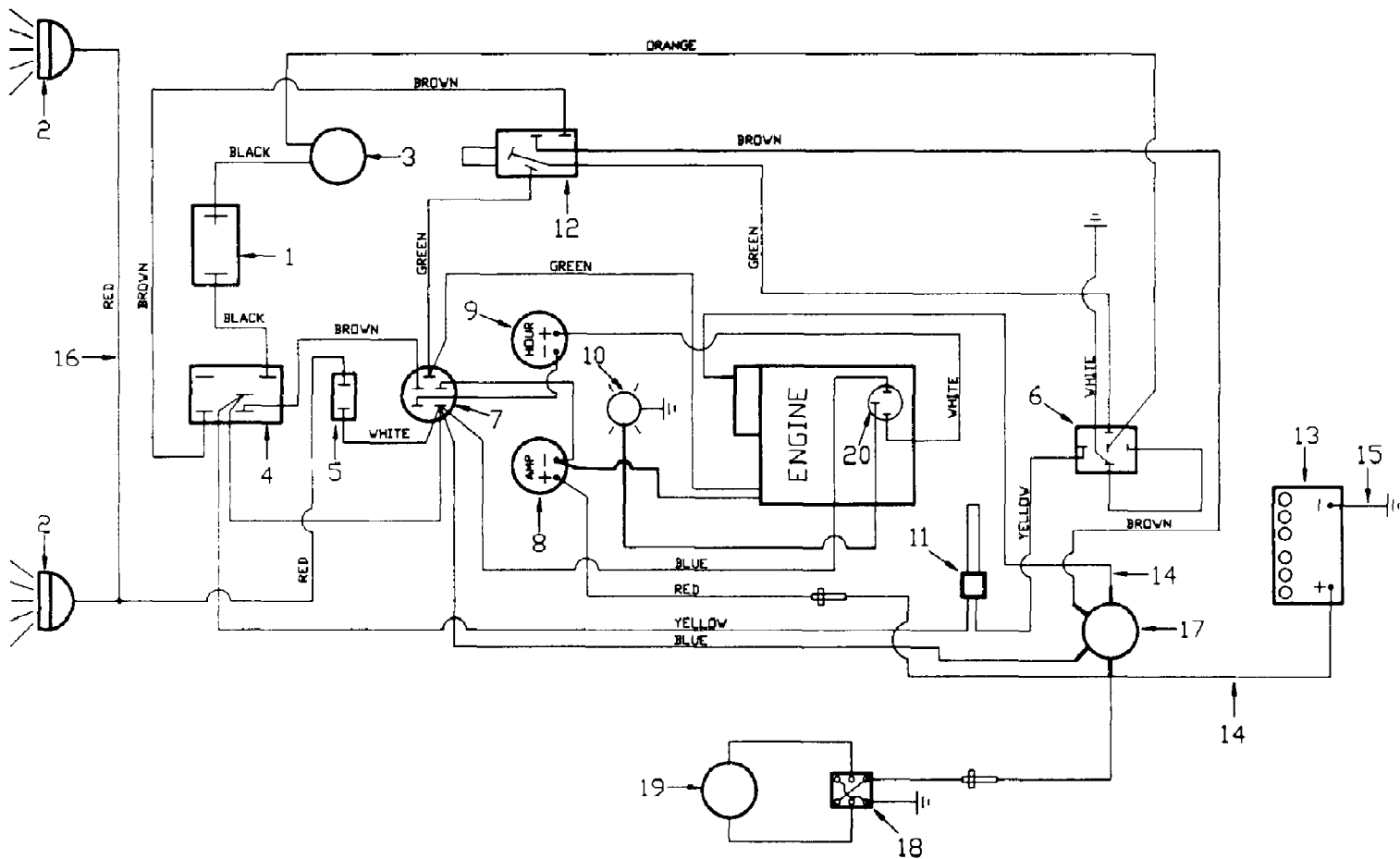
132-013-190 FR-1800 (1992)

Page 45 of 48

Wheel Motor & Pump Assembly - S/N Prior to 41-027-012814



Ref #	Part Number	Qty	S/P/F	Description
1	WD-900-8069	1		Wheel Motor, LH
2	WD-900-8068	1		Wheel Motor, RH
3	WD-900-8067	1		Pump, LH For model 7
4	WD-900-8066	1		Pump, RH For model 7
5	WD-900-8072	1	S	Housing, Oil Filter
6	WD-900-8073	1	S	Element, Oil Filter
7	WD-900-8058	1	S	3 Qt. Oil Tank
8	WD-900-8059	1	S	Cap, Oil Tank
9	WD-900-8005	8		Male Tube, Male O-ring Adp.
10	WD-900-8074	2		Male O-ring, 90° Female Pipe Swivel Adp.
11	WD-900-8076	1		Male O-ring, 90° Male Tube Adp.
12	WD-900-8077	1		Male O-ring, 1/2" Hose Barb Tee
13	WD-900-8075	2		Male O-ring, 90° Male Tube Adp.
14	WD-900-8078	4		Hose, 1/2" ID x 28" Long
15	WD-900-8071	2		Hose, 1/4" ID x 24" Long, Easy Couple
16	WD-900-8079	1		Hose, 5/8" ID x 3 3/4" Long, Easy Couple
17	WD-900-8081	1		Hose, 1/2" ID x 7 3/4" Long, Easy Couple
18	WD-900-8080	1		Hose, 1/2" ID x 12" Long, Easy Couple
19	WD-900-5729	2		Hose Clamp, 1/2"
20	WD-900-4013	2		Wheel Ass'y., 18 x 9.50-8
	WD-900-4042	1		Tire, 18 x 9.50-8
	WD-900-4008	1		Rim, 8" x 7"
20	WD-900-4038	2		Wheel Ass'y., 18 x 6.50-8 (Use With 42" Deck)
	WD-900-4041	1		Tire, 18 x 6.50-8
	WD-900-4040	1		Rim, 8 x 5 1/2"
21	WD-900-6138	8		Lug Nut, 1/2-20
22	WD-900-8125	2		Nut, Wheel Motor
23	WD-900-4036	2		4-Bolt Wheel Hub
24	WD-900-5733	1		Hose Clamp, 5/8"
25	WD-900-6137	8		Lug Bolt, 1/2-20 x 1 1/4"
26	WD-900-8124	2	S	Woodruff Key, 1/4" x 1"
27	WD-900-8090	2	S	Woodruff Key, 3/16" x 3/4"
28	WD-900-4508	2	S	Woodruff Key, 1/8" x 1/2"
29	WD-900-4524	2		Woodruff Key, 1/8" x 3/8"
30	WD-900-8122	2		Cotter Pin, 1/8" x 1 3/4"



Ref #	Part Number	Qty	S/P/F	Description
1	WD-900-2044	1	S	10 Amp Circuit Breaker
2	WD-900-2014	2		Headlight Assembly
	WD-900-2024	1	S	Lens
	WD-900-2025	1	S	Bulb
	WD-900-2060	1		Lamp
	WD-900-2068	1		Headlight Gasket
3	WD-900-5581	1	S	Electric Clutch Assembly
4	WD-900-2028	1	S	PTO Clutch Switch
5	WD-900-2027	1	S	Light Switch
6	WD-900-2037	1	S	Relay
7	WD-900-2003	1	S	Ignition Switch
8	WD-900-2002	1		Amp Gauge
9	WD-900-2023	1	S	Hour Meter
10	WD-900-2041	1		Oil Light
11	WD-900-2001	1		Seat Switch
12	WD-900-2029	1	S	Safety Switch
13	WD-900-2060	1		Battery
14	WD-900-2010	2		Starter Wire
15	WD-900-2009	1		Ground Wire
16	WD-900-2032	1		Light to Switch Wire
17	WD-900-2005	1		Solenoid
18	WD-900-2020	1		3 Position Deck Lift Switch
19	WD-900-2033	1		Electric Lift Actuator
20	WD-900-5017	1	S	Oil Sending Unit
	WD-900-2035	1		Wiring Harness